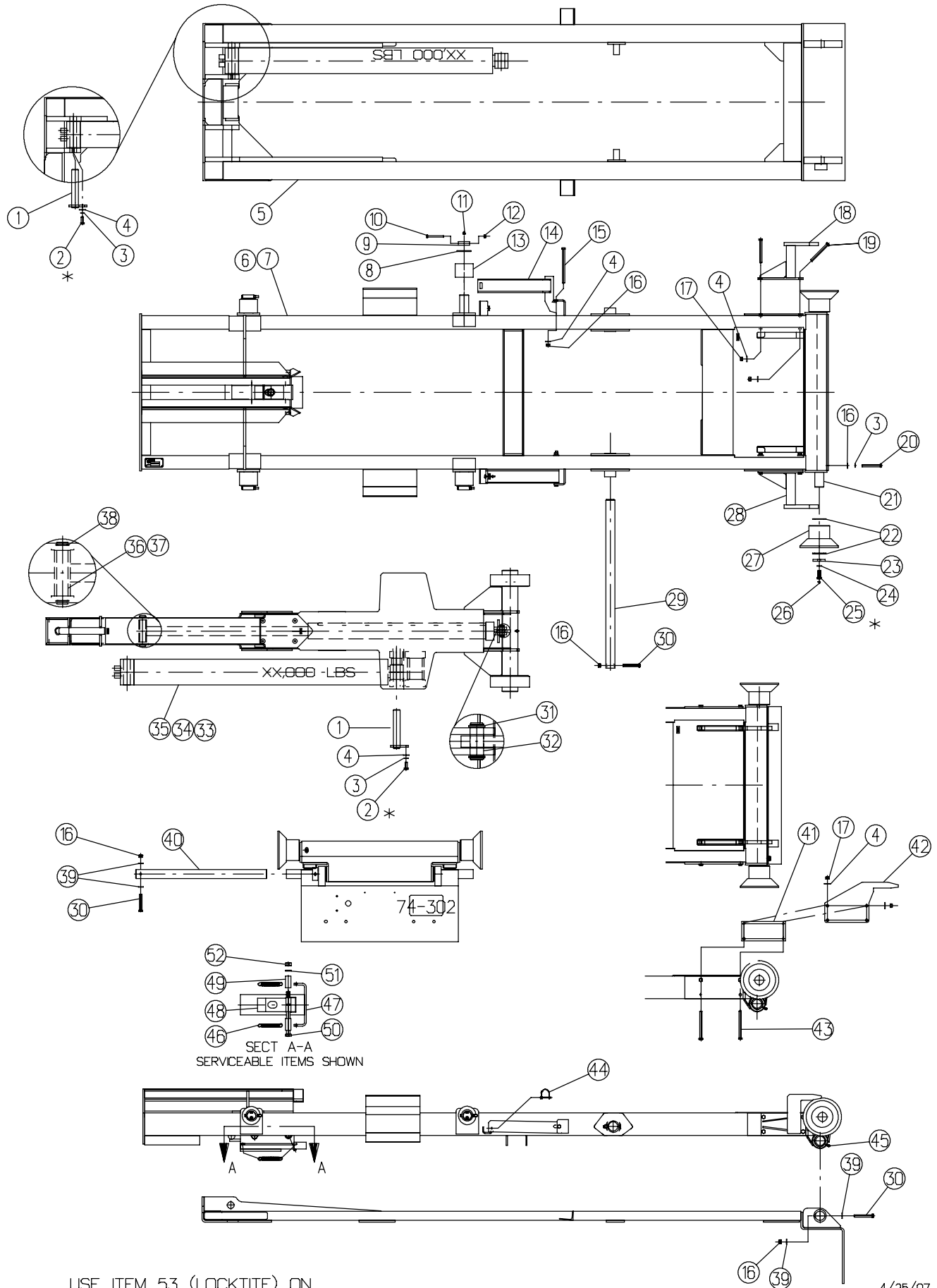


KP806/ KP810 108/120 CA



4/25/07
M9810-20

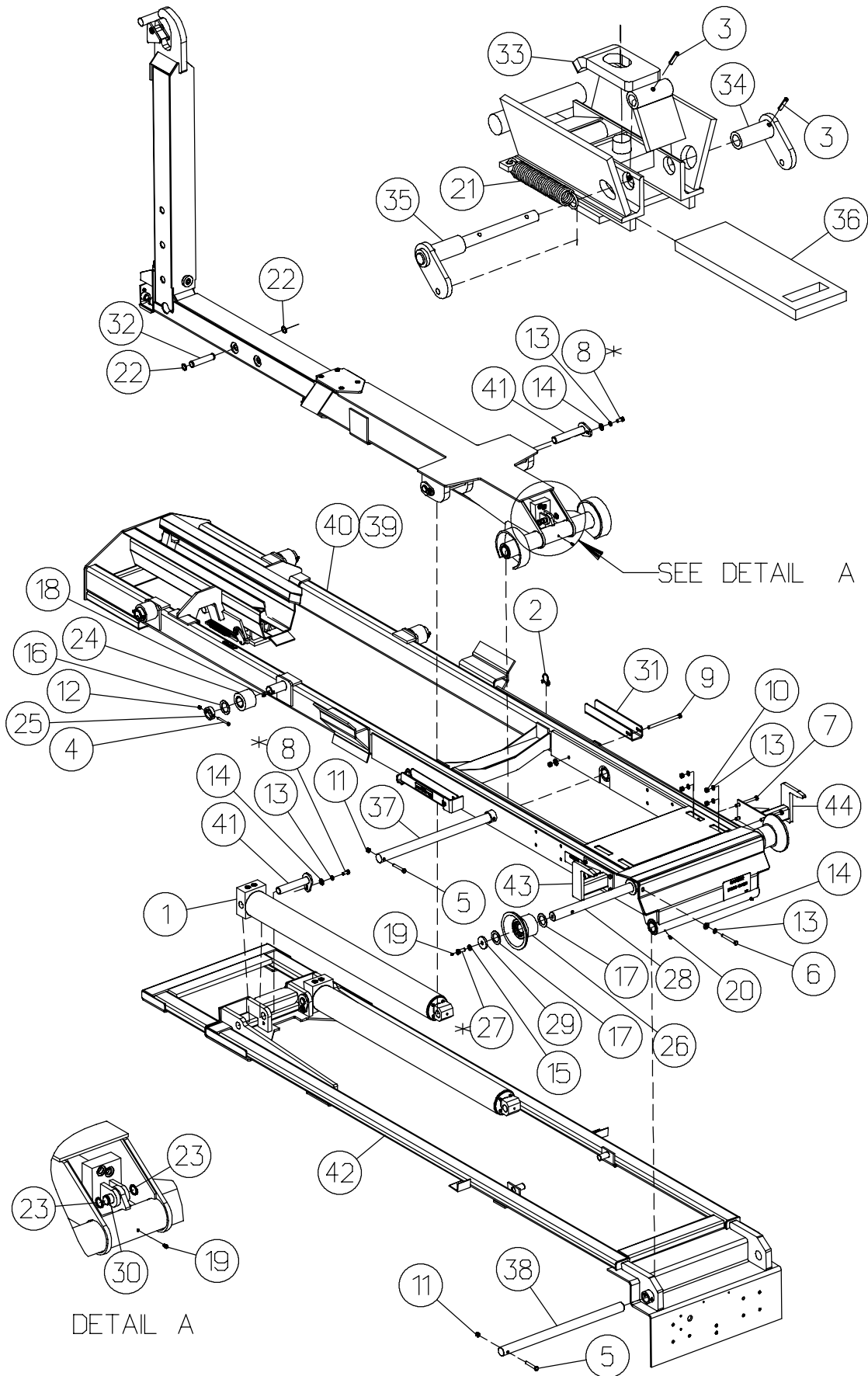
MAIN FRAME

FOR MODELS - KP806 / KP810

6/07

Item	Part Number	Part Description	Qty.
1	9810-26-0	Lift Cylinder Pin Weldment	4
2	62-420	1/2NC x 1-1/4" GD5 Cap Screw	4
3	64-107	1/2" STD. Lock Washer	5
4	64-108	1/2" STD. Flat Washer	17
5	9810-520-0	Main Frame Weldment (108/120 Tilt)	1
6	9810-208-0	Tilt Frame Weldment (108)	1
7	9810-220-0	Tilt Frame Weldment (120)	1
8	64-154	3-1/8 x 2-1/8 x 10 Ga. Machine Bushing	4
9	9274-415-3	Bolt Collar (Roller)	4
10	62-123	3/8NC x 3-1/2" GD5 Cap Screw	4
11	65-101	1/8" STD. Zerk	4
12	63-134	3/8NC Nylon-Top Lock Nut	4
13	9274-412-0	Outer Roller Assembly	4
14	9716-0-14	Prop	2
15	62-837	1/2NC x 7-1/2" GD8 Cap Screw	2
16	63-108	1/2NC Nylon-Top Lock Nut	4
17	63-107	1/2NC Lock Nut	8
18	9810-80-0	Hold Down Weldment, Right (KP810)	1
19	62-458	1/2NC x 5" GD5 Cap Screw	8
20	62-377	1/2NC x 4" GD5 Cap Screw	1
21	9606-108-8	Roller Shaft	1
22	64-199	3 x 2 x 10 Ga. Machine Bushing	4
23	9606-108-9	Retainer Washer	2
24	64-109	5/8" STD. Lock Washer	2
25	9606-108-10	Special Bolt	2
26	65-113	1/4NF Zerk	3
27	9606-105-0	Guide Roller Assembly	2
28	9810-81-0	Hold Down Weldment, Left (KP810)	1
29	9810-0-11	Boom Pivot Shaft	1
30	62-154	1/2NC x 3-1/2" GD5 Cap Screw	2
31	99-201	Retaining Ring (1" Shaft)	2
32	9610-120-7	Cylinder Pin, Extension Cylinder	1
33	23-703	5 x 49-3/4" Hydraulic Cylinder (KP810)	1
34			
35	23-718	4-1/2 x 49-3/4" Hydraulic Cylinder (KP806)	1
36	9810-0-12	Rod Pin, Extension Cylinder	1
37	9716-00-12	Rod Pin, Extension Cylinder	1
38	99-197	Retaining Ring (1-1/4" Shaft)	2
39	64-162	1/2" SAE Flat Washer	2
40	9810-0-6	Main Pivot Shaft (108/120)	1
41	9806-80-1	Spacer (KP806) Hold Down	2
42	9806-80-2	Hook (KP806)	2
43	62-395	1/2NC x 6" GD5 Cap Screw	8
44	60-109	P.T.O. Lock Pin	2
45	65-115	1/4 x 45 Thread Cutting Zerk	2
46	76-180	Spring (painted)	2
KIT	9716-205-0	Frame Interlock Kit (Includes ● Items)	1
47	● 9716-246-0	Slide Plate Weldment	1
48	● 9716-200-0	Latch Plate Weldment	1
49	● 9716-242-20	Spacer	2
50	● 62-223	3/4NC x 9-1/2" GD5 Cap Screw	1
51	● 64-112	3/4" STD. Lock Washer	1
52	● 63-112	3/4NC Hex Nut	1
53	99-158	Locktite #26241 (250ml)	spec.

KP810 - 138 / 156 CA MAIN FRAME



DETAIL A

* USE LOCTITE, PART NUMBER 99-158, ON THREADS

3/23/07
M9810-38

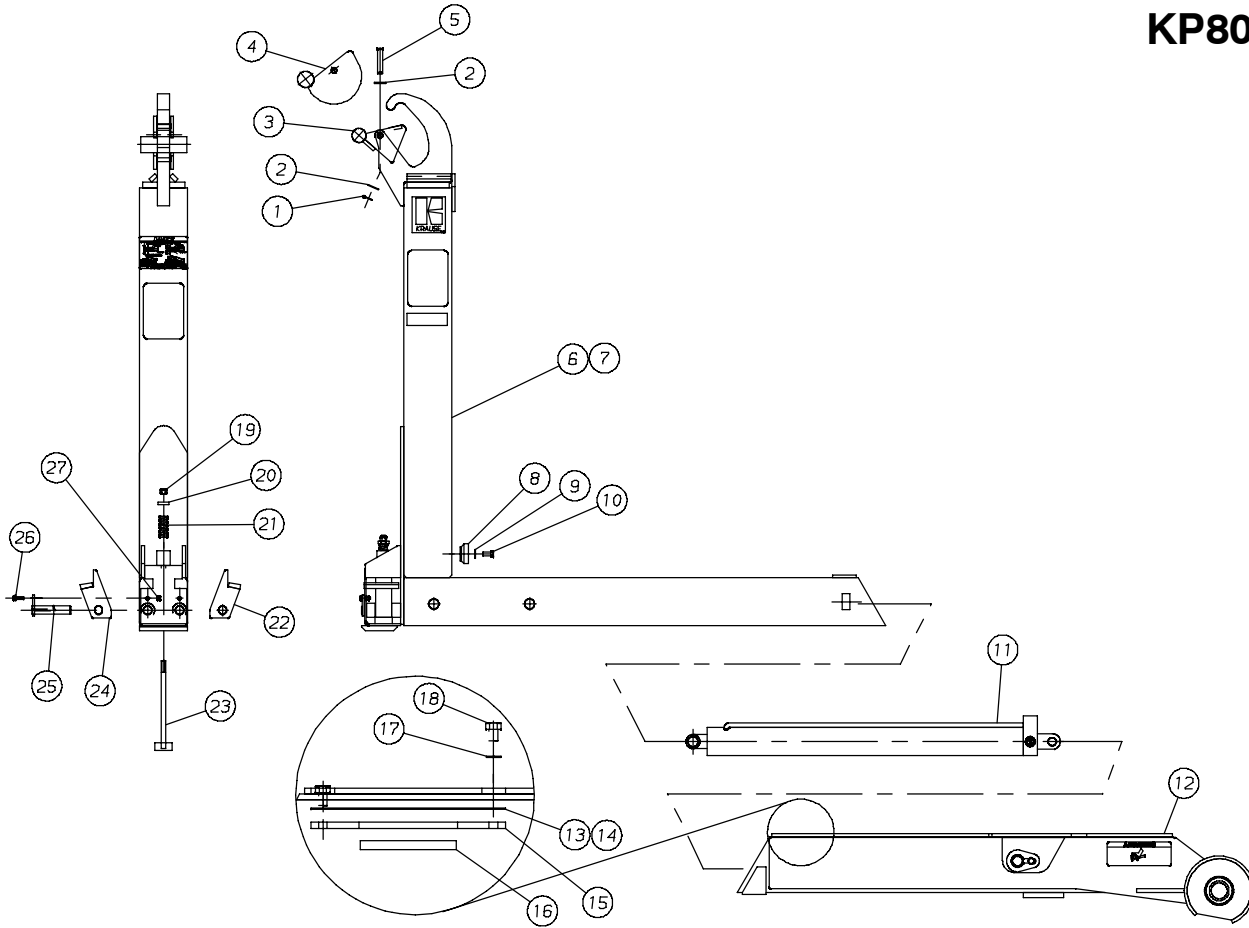
KP810-138/156 C.A. MAIN FRAME

FOR MODELS - KP810

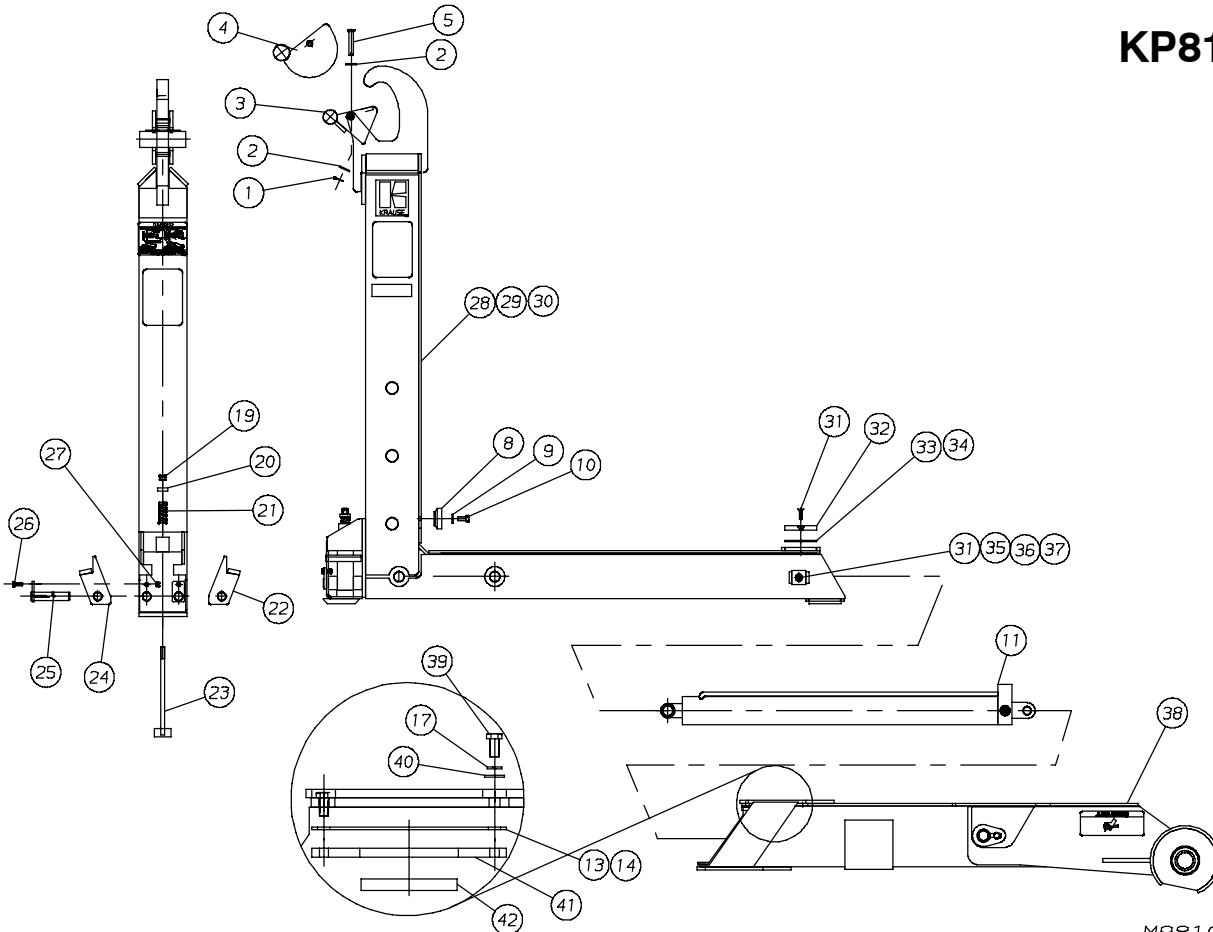
6/07

Item	Part Number	Part Description	Qty.
1	23-727	5" Bore x 57" Stroke Hydraulic Cylinder	2
2	60-109	P.T.O. Lock Pin	2
3	60-604	1/4" DIA. x 1-1/4" Roll Pin	2
4	62-123	3/8NC x 3-1/2" GD5 Cap Screw	4
5	62-154	1/2NC x 3-1/2" GD5 Cap Screw	2
6	62-351	1/2NC x 4-1/2" GD5 Cap Screw	1
7	62-352	1/2NC x 5-1/2" GD5 Cap Screw	8
8	62-420	1/2NC x 1-1/4" GD5 Cap Screw	4
9	62-838	1/2NC x 8-1/2" GD8 Cap Screw	2
10	63-106	1/2NC Hex Nut	8
11	63-108	1/2NC Nylon-Top Lock Nut	5
12	63-134	3/8NC Nylon-Top Lock Nut	4
13	64-107	1/2" STD. Lock Washer	13
14	64-108	1/2" STD. Flat Washer	7
15	64-109	5/8" STD. Lock Washer	2
16	64-154	Special Washer 3-1/8" x 2-1/8" x 10ga	4
17	64-199	Special Washer 3" x 2" x 10ga	4
18	65-101	1/8" STD. Grease Zerk	4
19	65-113	1/4NF Zerk	3
20	65-115	1/4NF x 45° Threadcutting Zerk	2
21	76-180	Spring Extension 1.25 od x .14 w x 7.50"	2
22	99-197	Retainer Ring 1-1/4"	2
23	99-201	Retainer Ring 1"	2
24	9274-412-0	Outside Roller Assembly	4
25	9274-415-3	Bolt Collar (Roller)	4
26	9606-105-0	Guide Roller Assembly	2
27	9606-108-10	Special Bolt	2
28	9606-108-8	Roller Shaft	1
29	9606-108-9	Retainer Washer	2
30	9610-120-7	Cylinder Pin (Extension Cylinder)	1
31	9716-0-14	Prop	2
32	9716-00-12	Rod Pin (Extension Cylinder)	1
33	9716-200-0	Latch Plate Weldment	1
34	9716-201-0	Right Spring Tab Weldment	1
35	9716-202-0	Left Spring Tab Weldment	1
36	9716-242-3	Slide Plate Latch	1
37	9810-0-11	Boom Pivot Shaft	1
38	9810-0-13	Pivot Shaft	1
39	9810-238-0	138 Tilt Frame Weldment	1
40	9810-256-0	156 Tilt Frame Weldment	1
41	9810-26-0	Lift Cylinder Pin Weldment	4
42	9810-538-0	Main Frame Weldment (138/156)	1
43	9810-80-0	Hold Down Weldment - Right	1
44	9810-81-0	Hold Down Weldment - Left	1

KP806



KP810



M9810-20A

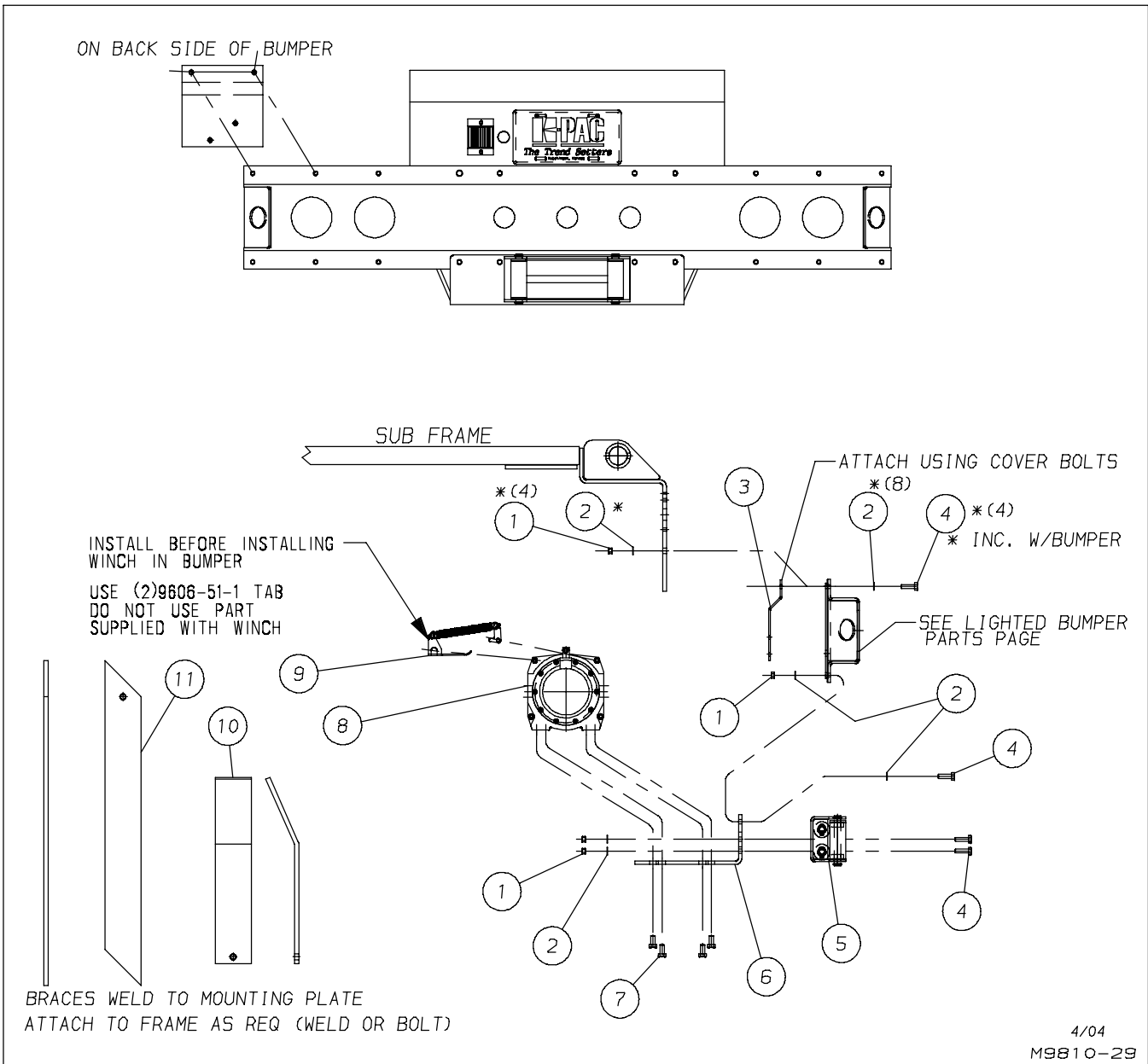
BOOM ASSEMBLY

FOR MODELS - KP806/KP810

6/07

Item	Part Number	Part Description	Qty.
1	60-701	5/32"DIA.x 1-1/4" Cotter Pin	1
2	64-146	5/8" SAE Flat Washer	2
3	9810-355-0	Hook Lock Weldment (For 54" & 62" Hook Height)	1
4	9606-15-0	Hook Lock Weldment (For 36" Hook Height)	1
5	60-270	5/8"DIA. x 3" Clevis Pin	1
6	9806-136-0	36" Inner Boom Weldment (108/120 Tilt)	1
7	9806-54-0	54" Inner Boom Weldment (108/120 Tilt)	1
8	82-242	Shock Pad	1
9	64-162	1/2" SAE Flat Washer	1
10	62-300	1/2NC x 1" GD5 Cap Screw	1
11	23-721	3" x 35" Hydraulic Cylinder (108/120/138 CA)	1
	23-722	3" x 48" Hydraulic Cylinder (156 CA)	1
12	9806-620-0	Outer Boom Weldment (108/120 Tilt)	1
13	●★ 9610-00-3	Shim .06 (Pad Retainer)	2
14	●★ 9610-00-4	Shim .12 (Pad Retainer)	2
15	● 9606-108-11	Pad Retainer (606)	1
16	● 9606-108-12A	Outer Boom Pad (706)	1
17	●★ 64-103	3/8" STD. Lock Washer	8
18	● 62-748	3/8NC x 3/4" GD5 Cap Screw	4
19	63-108	1/2NC Nylon-Top Lock Nut	1
20	9615-00-6	Spring Retainer	1
21	76-218	Spring Compression 1"OD x .125W x 3"	1
22	9716-301-0	Lock Plate Weldment, Left	1
23	9615-303-0	Main Pin Weldment	1
24	9716-302-0	Lock Plate Weldment, Right	1
25	9615-304-0	Lock Pin Weldment	2
26	62-432	5/16NC x 1" GD5 Cap Screw	2
27	63-167	5/16NC Nylon-Top Lock Nut	2
28	9810-136-0	36" Inner Boom Weldment (108/120 CA)	1
29	9810-54-0	54" Inner Boom Weldment (108/120 CA)	1
	9810-354-0	54" Inner Boom Weldment (138/156 CA)	1
30	9810-62-0	62" Inner Boom Weldment (108/120 CA)	1
	9810-362-0	62" Inner Boom Weldment (138/156 CA)	1
31	★ 62-718	3/8NC x 1" Flat Cross Head Cap Screw	6
32	★ 9610-120-5A	Inner Boom Pad (Large)	2
33	★ 9610-00-10	Shim, .06" Thick	2
34	★ 9610-00-14	Shim, .12" Thick	2
35	★ 9610-120-3A	Inner Boom Pad (Small)	2
36	★ 9610-00-8	Shim, .06" Thick	2
37	★ 9610-00-15	Shim .10" Thick	2
38	9810-620-0	Outer Boom Weldment (108/120 CA)	1
	9810-638-0	Outer Boom Weldment (138/156 CA)	1
39	★ 62-803	3/8NC x 7/8" GD5 Cap Screw	8
40	★ 64-165	3/8" SAE Flat Washer	8
41	★ 9710-0-9	Pad Retainer	2
42	★ 9610-120-2A	Outer Boom Pad	2
	●★ 99-221	Loctite (Use Loctite for shaded bolts)	.5ml
	9706-84-0	Pad & Shim Kit - Includes ● Items	
	9710-84-0	Pad & Shim Kit - Includes ★ Items	

WINCH



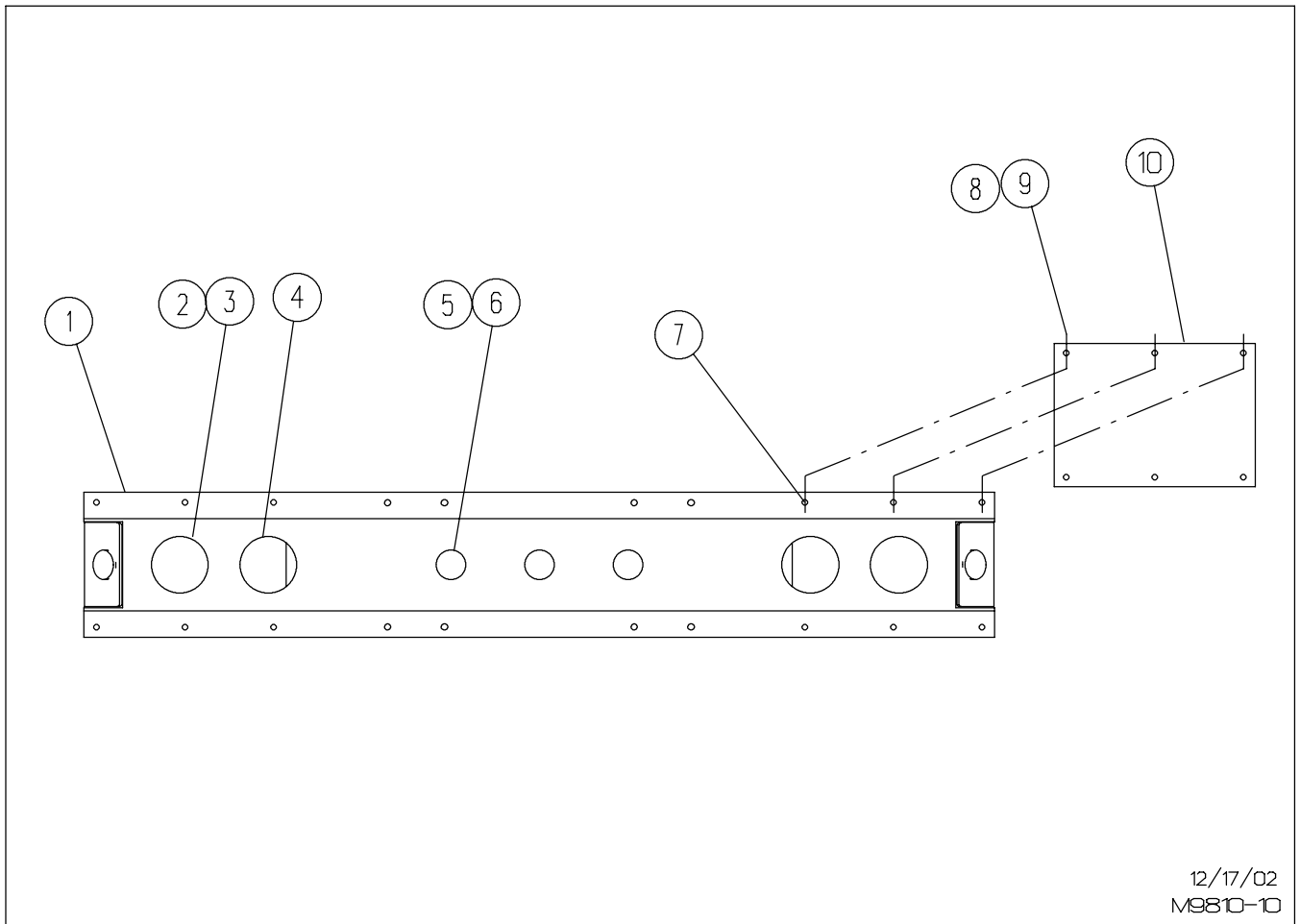
4/04
M9810-29

FOR MODELS - ALL

4/04

Item	Part Number	Part Description	Qty.
1	63-105	7/16NC Lock Nut	12
2	64-106	7/16" STD. Flat Washer	20
3	9810-0-15	Valve Bracket	1
4	62-407	7/16NC x 1-1/2" GD5 Cap Screw	12
5	82-295	HD Roller Fairlead for 10" Drum	1
6	9810-0-7	Winch Mounting Plate	1
7	62-815	M12 x 8.8 Cap Screw	8
8	82-250	12,000# Winch	1
9	82-251	Tensioner Wire Rope Kit 10" Drum	1
10	9810-0-8	Winch Support Plate	4
11	9810-0-16	Winch Support Plate	2

LIGHTED BUMPER PARTS

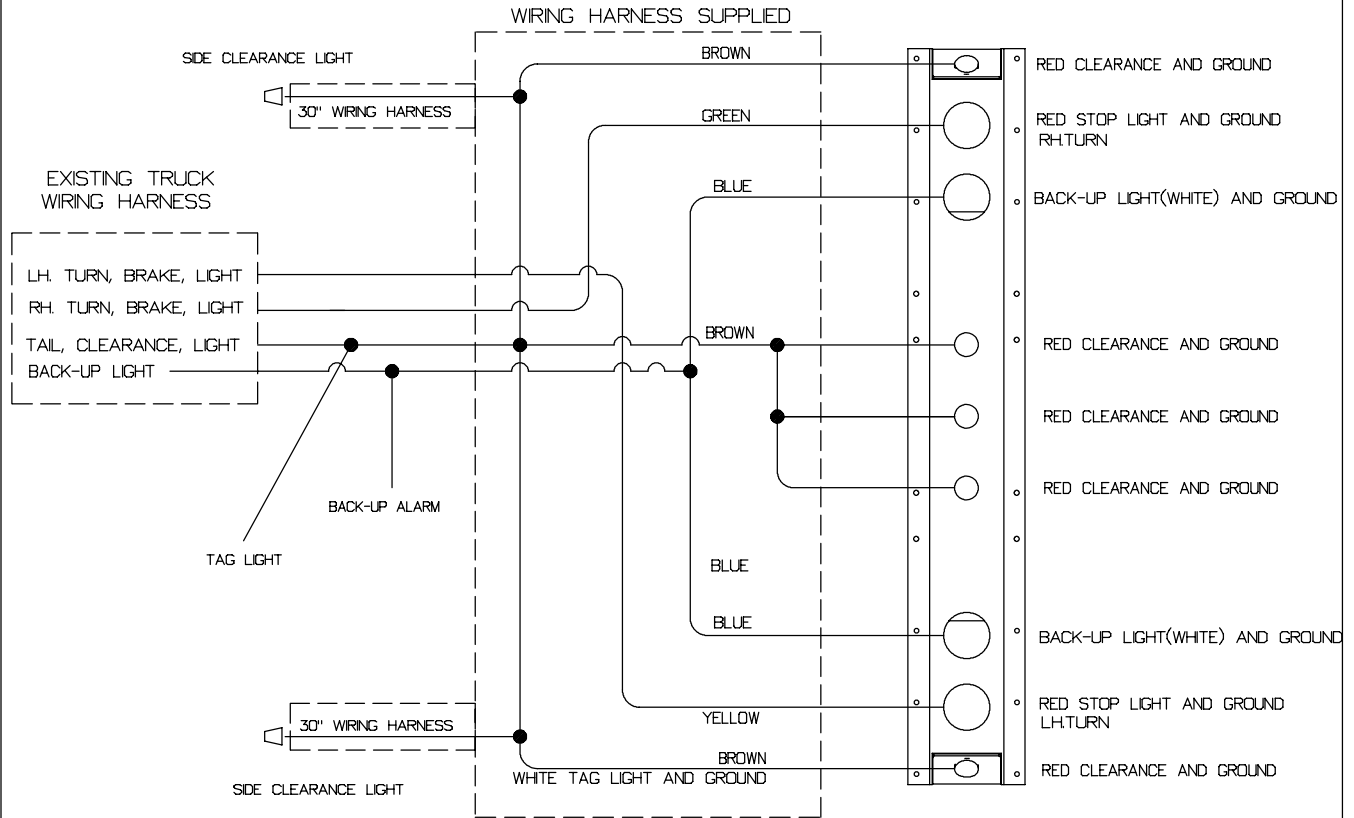


12/17/02
M9810-10

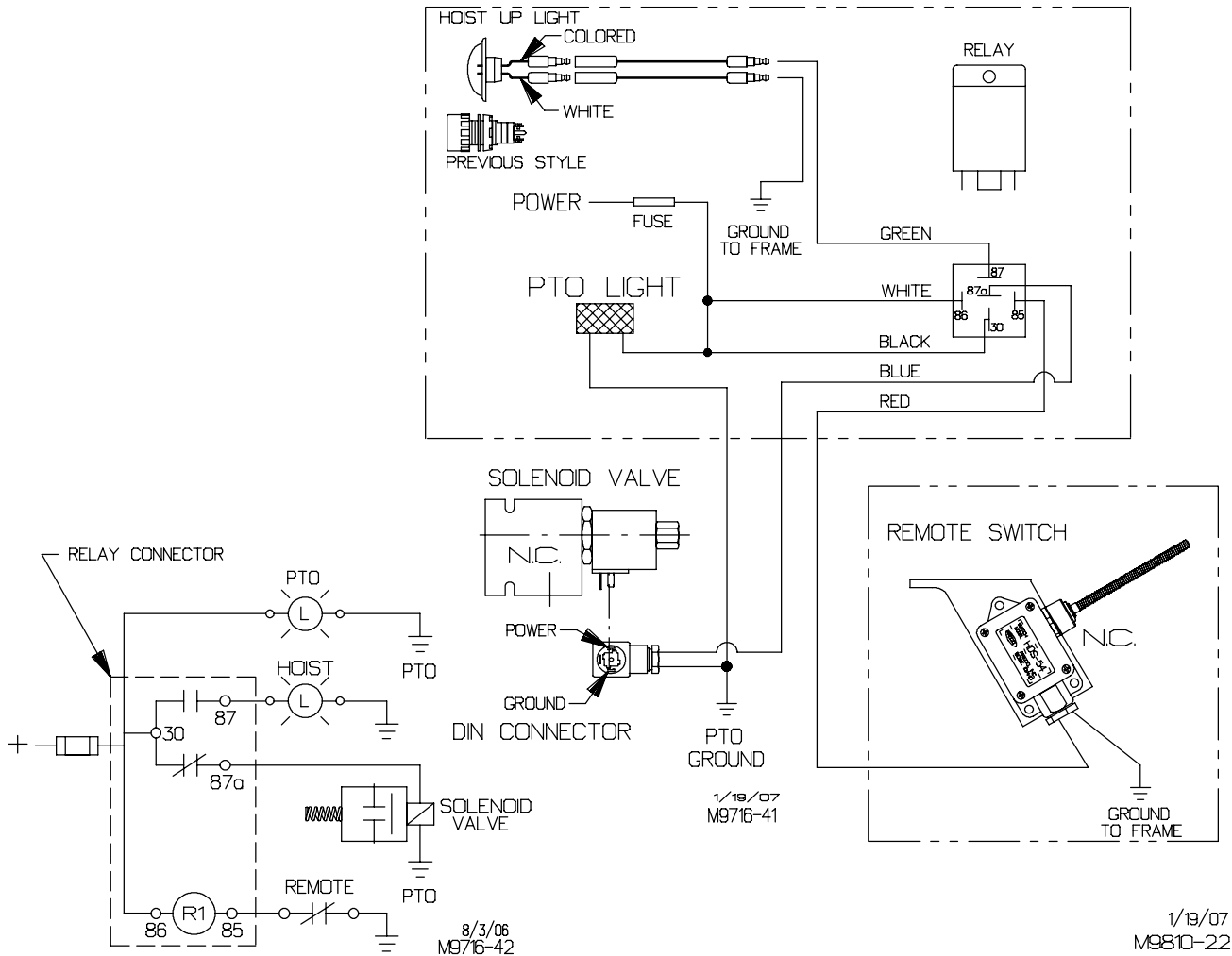
FOR MODELS - KP806 / KP810

Item	Part Number	Part Description	Qty.
1	9810-46-0	Rear Bumper Weldment	1
2	79-237	Rubber Grommet - 4-1/4" DIA.	4
3	79-234	Lamp STOP / TAIL / TURN	2
4	79-233	Lamp BACK-UP	2
5	79-236	Rubber Grommet - 2" DIA.	5
6	79-235	Lamp 2" Clearance (RED)	5
7	62-108	3/8NC x 1" GD5 Cap Screw	12
8	64-104	3/8" STD. Flat Washer	12
9	63-134	3/8NC Nylon-Top Lock Nut	12
10	9810-0-10	Bumper Cover Plate	2

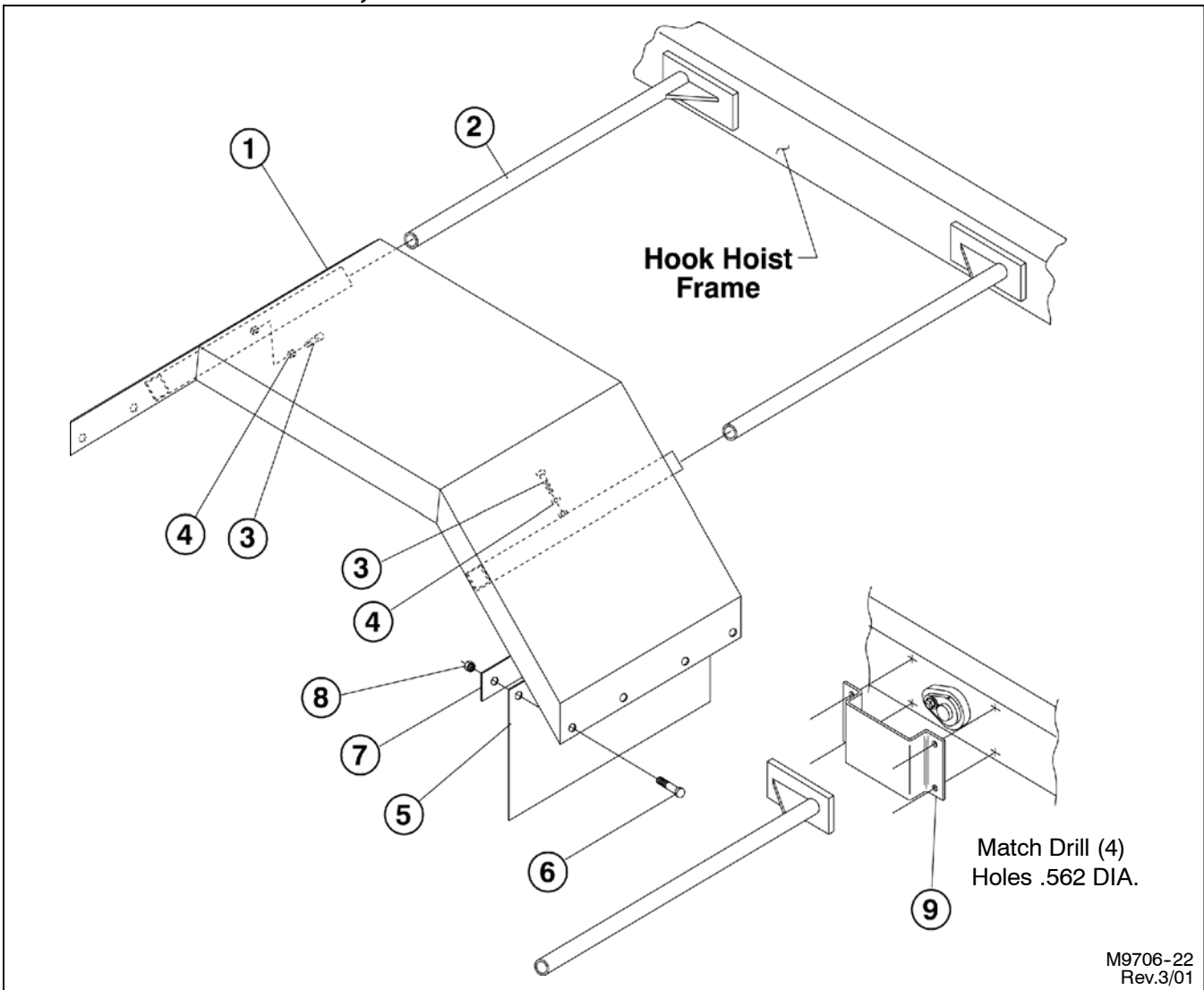
1. GROUND WHITE WIRES TO BUMPER



TRUCK CAB



FENDERS, SUPPORT TUBES & MUD FLAPS

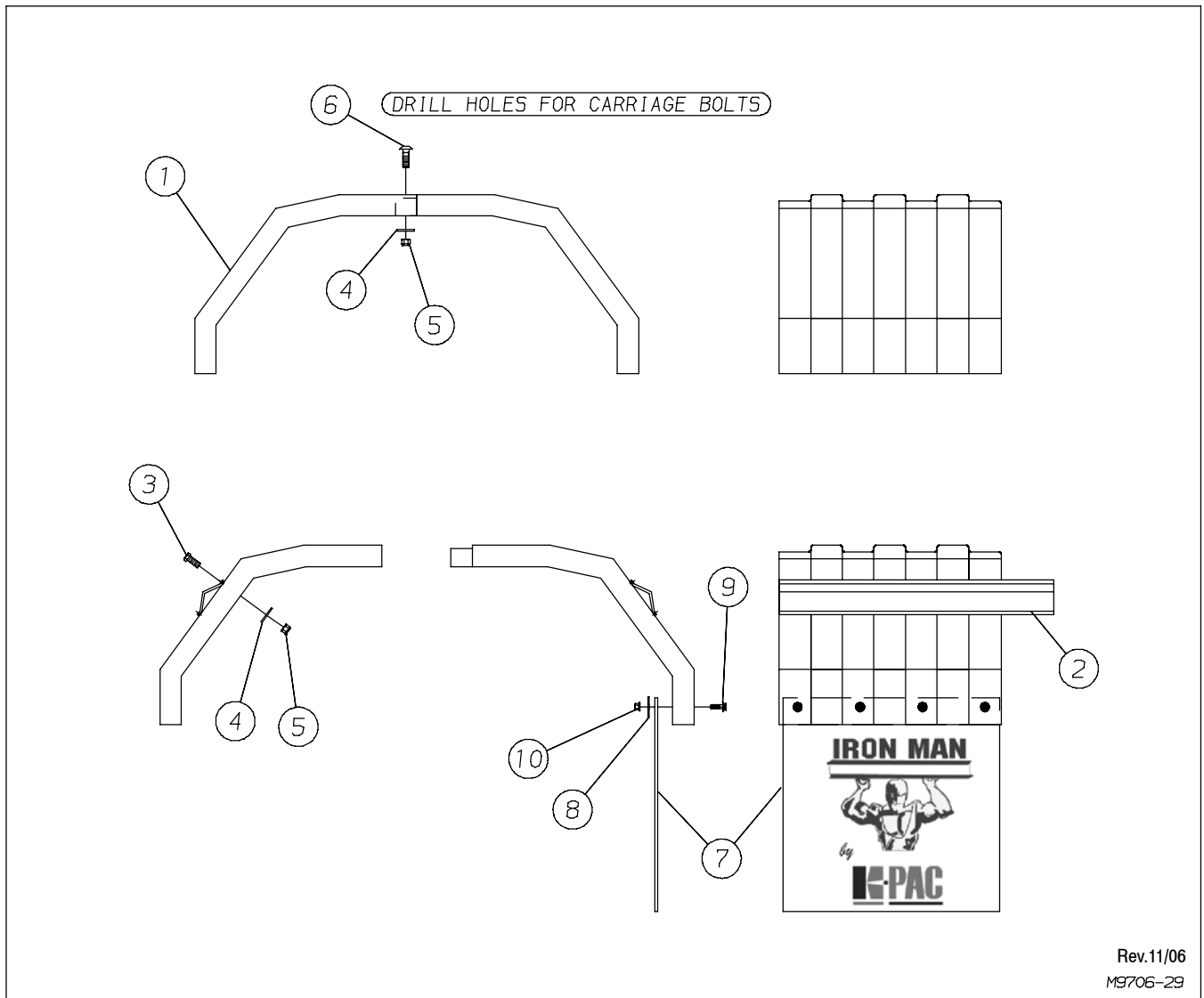


FOR MODELS - ALL

4/01

Item	Part Number	Part Description	Qty.
1	9305-55-0A	Standard Fender Weldment - (Width = 25-1/2")	1
	9305-57-0A	Narrow Fender Weldment - (Width = 22-1/4")	1
2	9305-56-0	Fender Support Weldment	2
3	62-503	1/2NC x 1-1/2" Set Screw	2
4	63-106	1/2NC Hex Nut	2
5	44-129	Mud Flap	1
6	62-108	3/8NC x 1" GD.5 Cap Screw	4
7	9274-0-1	Mud Flap Backing Plate	1
8	63-134	3/8NC Self Locking Nut	4
9	9610-0-13	Fender Mounting Bracket	Spec.

PLASTIC FENDERS



Rev.11/06
M9706-29

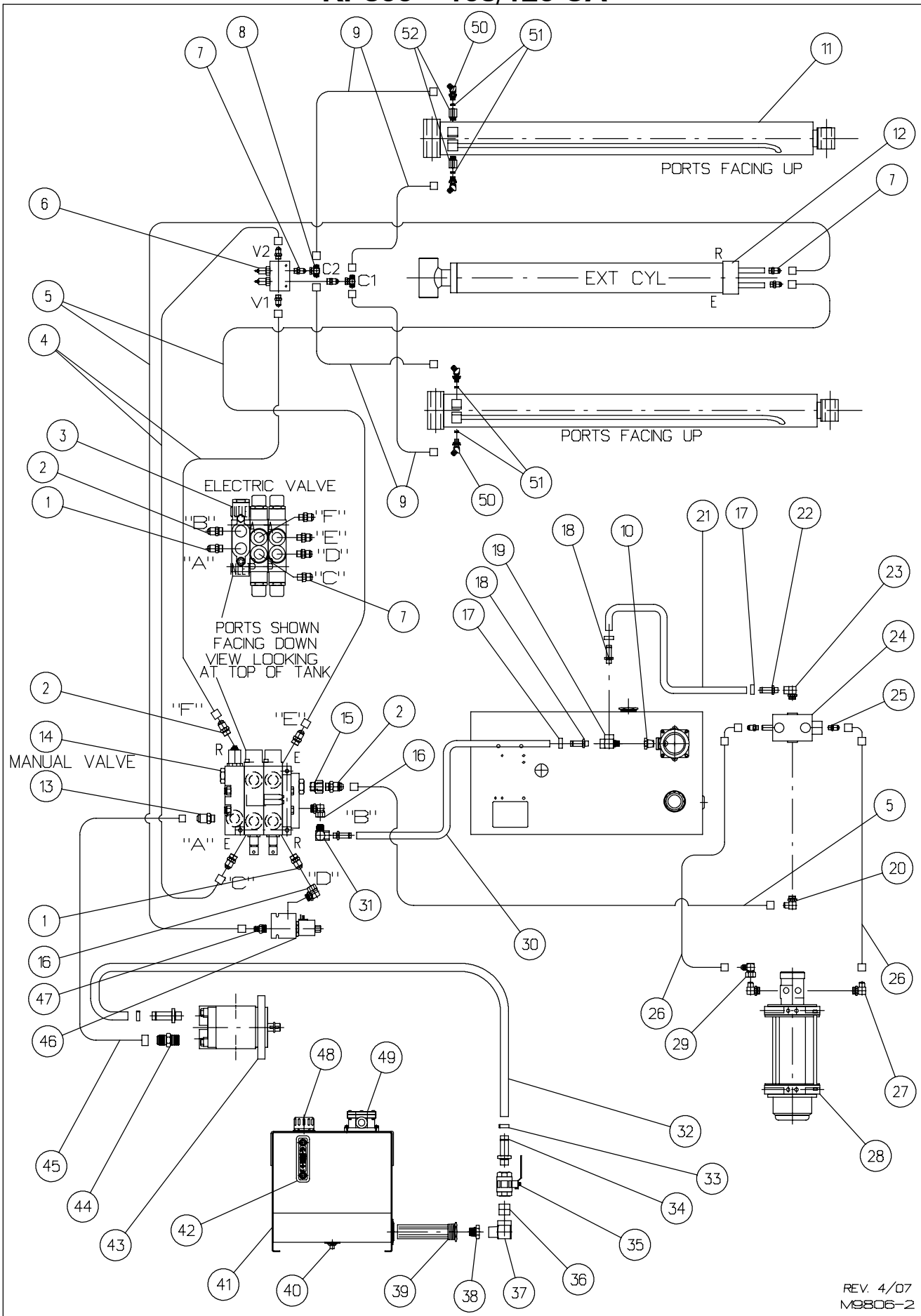
FOR MODELS - ALL

6/07

Item	Part Number	Part Description	Qty.
1	44-188	Set of Plastic Fenders - 44"	1
	44-190	Set of Plastic Fenders - 52"	1
2	82-255	Mounting Kit for 44-190	1
3	★	5/16NC x 1" Hex Head Cap Screw	16
4	★	5/16" STD. Flat Washer	23
5	★	5/16NC Nylon-Top Lock Nut	23
6	★	5/16NC x 1-1/4" Carrier Bolt	7
7	44-220	Mud Flap (24" x 24")	2
8	9724-0-1	Mud Flap Backing Plate	2
9	62-367	3/8NC x 3/4" Hex Flange Serrated Bolt	8
10	63-140	3/8NC Hex Flange Serrated Nut	8
★ Items Included in 82-255 Mounting Kit			

This page intentionally left blank.

KP806 - 108/120 CA



REV. 4/07
M9806-2

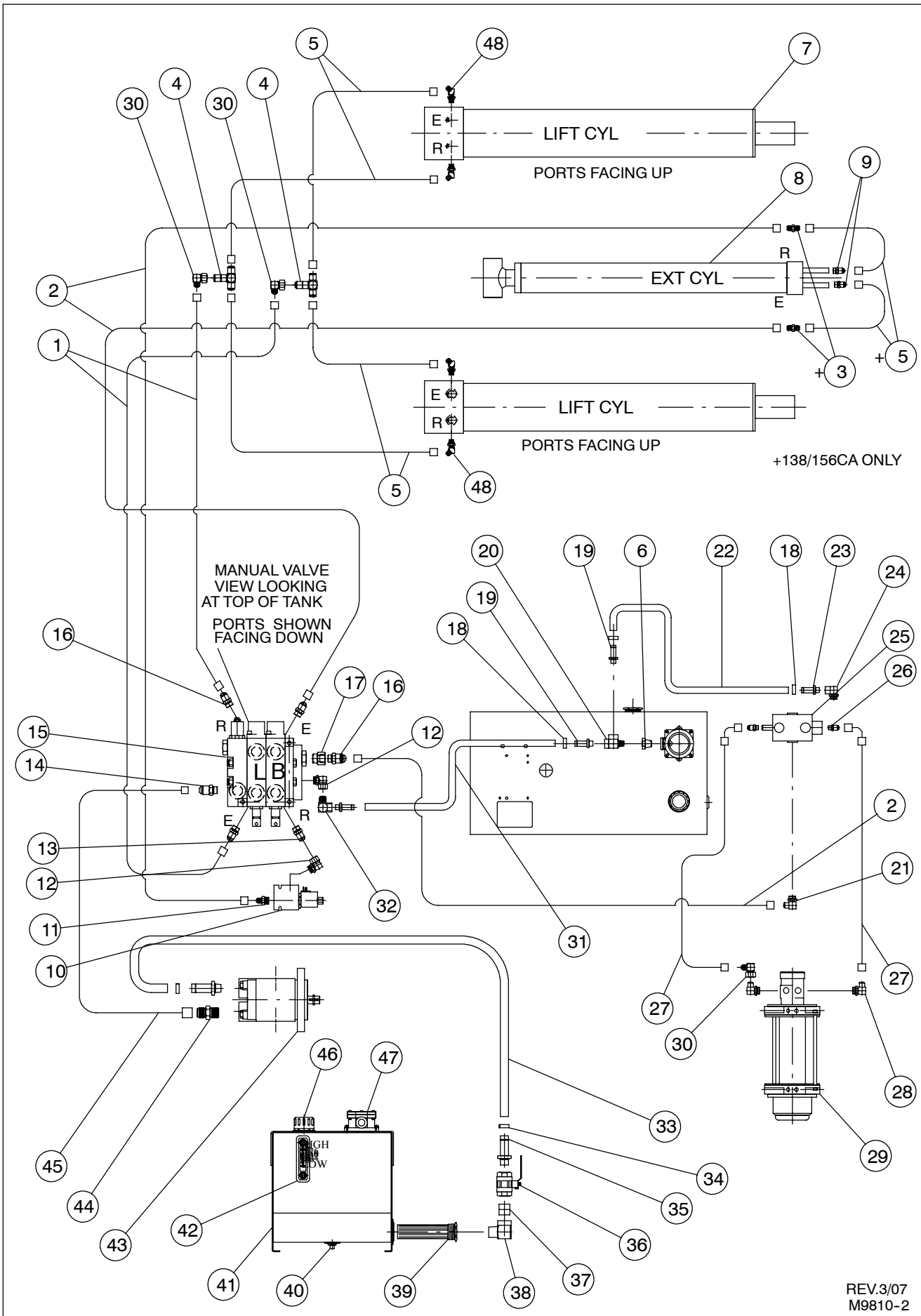
HYDRAULICS - KP806 108 / 120 CA

FOR MODELS - KP806

3/08

Item	Part Number	Part Description	Qty.
1	25-478	7/8(M) O-Ring to 1-1/16(M) Straight Hydraulic Fitting	2
2	25-379	7/8(M) O-Ring to 3/4(M) JIC Adapter Hydraulic Fitting	6
3	25-2498	Electric Valve (606)	1
4	24-3026	1/2"D x 68" (JIC) 3000 PSI Hose Assembly	2
5	24-363R	1/2"D x 288" (JIC) Black 2W Hose Assembly	2 / 1★
6	25-2496	Dual Counterbalance Valve	1
7	25-300	3/4(M) O-Ring to 3/4(M) JIC Adapter Hydraulic Fitting	10
8	25-373	3/4(JIC) Swivel Nut Branch Tee Hydraulic Fitting	2
9	24-3036	1/2"D x 30" JIC w/ Sleeve Hose Assembly	4
10	25-1184	1NPT to 3/4NPT Hex Reducer Hydraulic Fitting	1
11	23-718	4-1/2" x 49-3/4" Hydraulic Cylinder	2
12	23-721	3" x 35" Hydraulic Cylinder	1
13	25-342	1-1/16" O-Ring to 1-1/16(JIC) Hydraulic Fitting	1
14	25-2495	Control Valve - V20 2 Spool (Rev w/FF Spool)	1
15	25-2419	Power Beyond Sleeve SAE #10 (V20 Valve)	1
16	25-583	1-1/16" O-Ring to 1-1/6(JIC) 90° Hydraulic Fitting	2
17	25-494	Hose Clamp (1.19" to 1.37")	2/2★
18	25-1175	3/4NPT(M) to 3/4" Hose Straight Hydraulic Fitting	2/1★
19	★ 25-1190	3/4NPT(M) to 3/4NPT(F) Service Tee Hydraulic Fitting	1
20	★ 25-301	3/4(M) O-Ring to 3/4(M) JIC 90° Hydraulic Fitting	1
21	★ 24-1150	3/4"D x 276" Low Pressure Hose Assembly	1
22	★ 25-1180	1/2NPT(M) to 3/4 Hose End Hydraulic Fitting	1
23	★ 25-493	3/4(M) O-Ring to 1/2(F)NPT 90° Hydraulic Fitting	1
24	★ 25-2394	Valve SD4-1(SV)-28SLP-SAE	1
25	★ 25-328	9/16(M) O-Ring to 3/4(M) JIC Hydraulic Fitting	2
26	★ 24-3042	1/2"D x 80" JIC 90° (Mega3000) Hose Assembly	2
27	★ 25-485	3/4(M) JIC to 7/8(M) O-Ring 90° Hydraulic Fitting	2
28	★ 82-250	12,000# Winch (30-286 Series)	1
29	★ 25-310	3/4(M) JIC to 3/4(F) JIC 90° Swivel Hydraulic Fitting	1
30	24-1139	3/4"D x 18" Low Pressure Hose Assembly	1
31	25-449	1-1/16(M) to 3/4NPT(F) x 90° Hydraulic Fitting	1
32	24-1127	1"D x 69" 100R4 Low Pressure Hose	1
33	25-489	Hose Clamp (T-Bolt Type)	2
34	25-1170	1NPT(M) to 1" Hose End Hydraulic Fitting	2
35	25-2376	Ball Valve 1NPT(F) Both Ends	1
36	75-165	Close Nipple 1NPT	1
37	25-1172	1NPT 90° Street Elbow Hydraulic Fitting	1
38	75-139	1-1/4NPT(M) to 1NPT(F) Pipe Bushing	1
39	25-233	Oil Strainer 25 GPM	1
40	25-2374	3/4NPT Magnetic Plug	1
41	9610-35-0	Hydraulic Tank Weldment	1
42	25-535	Sight Gauge w/ Temp 5"	1
43	25-2378	Pump (Commercial Intertech)	1
44	25-534	1-1/16(M) JIC to 1NPTF(M) Hydraulic Fitting	1
45	24-656	3/4"D x 60" (JIC) 3000 PSI Hose Assembly	1
46	79-563	Solenoid Valve N.C. (40 GPM)	1
47	25-363	1-1/16 O-Ring to 3/4JIC (M/M) Hydraulic Fitting	1
48	25-215	Filler Cap Assembly	1
49	25-2375	In-Tank Filter (TIF08-025-G)	1
	25-2489	Filter Element (Long)	1
50	25-312	3/4(M) O-Ring to 3/4(M) JIC 45° Elbow Hydraulic Fitting	4
51	25-2497	Orifice Plate	4
52	25-633	3/4(M) O-Ring to 3/4(M) O-Ring Extender	4
★	Winch		

KP810 - 108/120/138/156 CA



REV.3/07
M9810-2

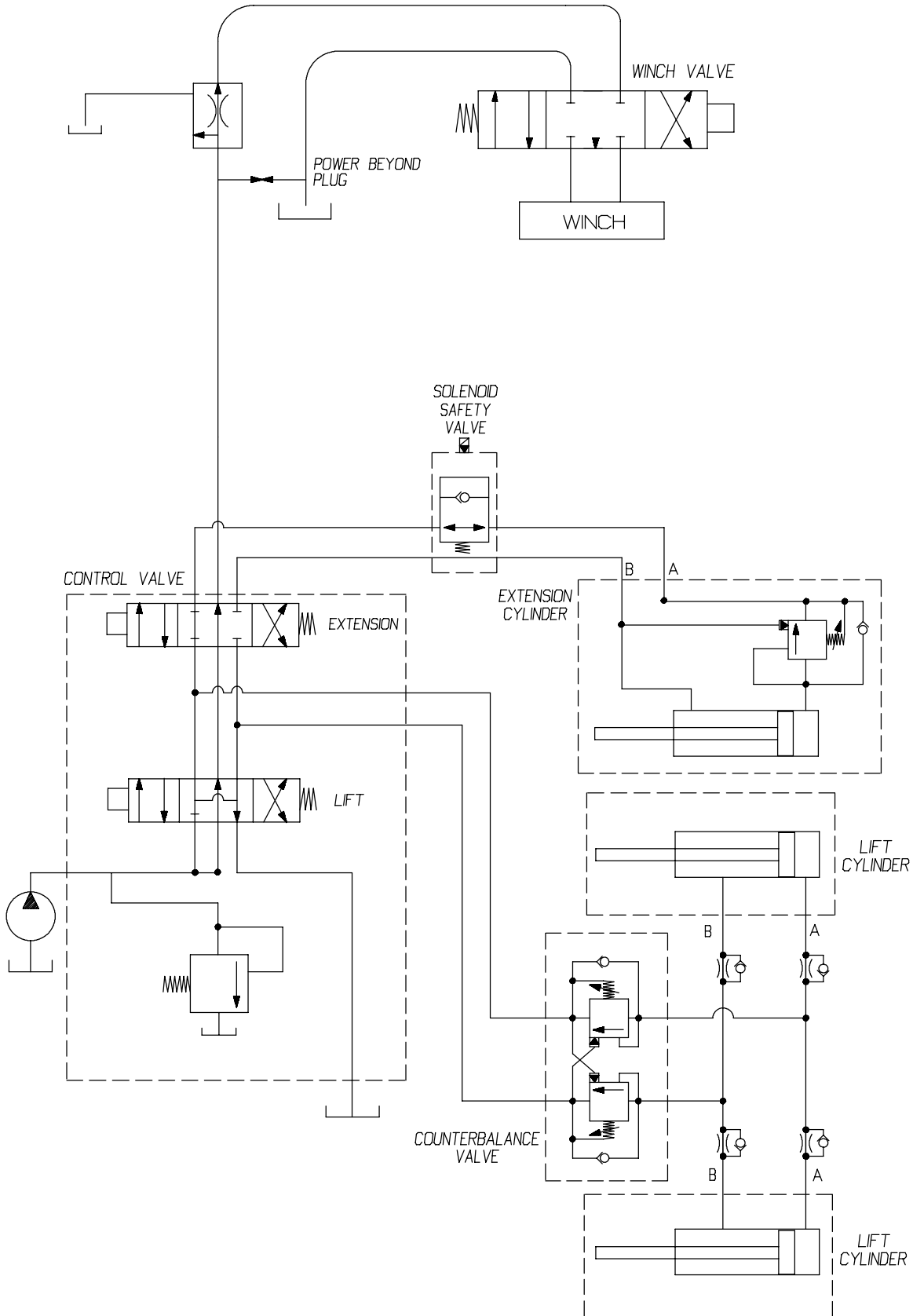
HYDRAULICS - KP810 108/120/138/156 CA

FOR MODELS - KP810

3/08

Item	Part Number	Part Description	Qty.
1	24-3026	1/2"D x 68" (JIC) 3000 PSI Hose Assembly	2
2	24-363R	1/2"D x 288" (JIC) Black 2W Hose Assembly	2/1★
3	25-304	37° Flare Male Coupler Hydraulic Fitting	2■
4	25-326	37° (M) Bulkhead Tee Hydraulic Fitting	2
5	24-3036	1/2"D x 30" JIC w/Sleeve Hose Assembly	4 / 6■
6	25-1184	1NPT to 3/4NPT Hex Reducer Hydraulic Fitting	1
7	23-703	5" x 49-3/4" Hydraulic Cylinder (108/120 CA)	2
	23-727	5" x 57" Hydraulic Cylinder (138/156 CA)	1
8	23-721	3" x 35" Hydraulic Cylinder (108/120/138 CA)	1
	23-722	3" x 48" Hydraulic Cylinder (156 CA)	1
9	25-300	3/4(M) O-Ring to 3/4(M) JIC Adapter Hydraulic Fitting	6
10	79-563	Solenoid Valve N.C. (40 GPM)	1
11	25-363	1-1/16 O-Ring to 3/4JIC (M/M) Hydraulic Fitting	1
12	25-583	1-1/16" O-Ring to 1-1/6(JIC) 90° Hydraulic Fitting	2
13	25-478	7/8(M) O-Ring to 1-1/16(M) Straight Hydraulic Fitting	1
14	25-342	1-1/16" O-Ring to 1-1/16(JIC) Hydraulic Fitting	1
15	25-2495	Control Valve - V20 2 Spool (Rev w/FF Spool)	1
16	25-379	7/8(M) O-Ring to 3/4(M) JIC Adapter Hydraulic Fitting	5
17	25-2419	Power Beyond Sleeve SAE #10 (V20 Valve)	1
18	25-494	Hose Clamp (1.19" to 1.37")	2/2★
19	25-1175	3/4NPT(M) to 3/4" Hose Straight Hydraulic Fitting	2/1★
20	★ 25-1190	3/4NPT(M) to 3/4NPT(F) Service Tee Hydraulic Fitting	1
21	★ 25-301	3/4(M) O-Ring to 3/4(M) JIC 90° Hydraulic Fitting	1
22	★ 24-1150	3/4"D x 276" Low Pressure Hose Assembly	1
23	★ 25-1180	1/2NPT(M) to 3/4 Hose End Hydraulic Fitting	1
24	★ 25-493	3/4(M) O-Ring to 1/2(F)NPT 90° Hydraulic Fitting	1
25	★ 25-2394	Valve SD4-1(SV)-28SLP-SAE	1
26	★ 25-328	9/16(M) O-Ring to 3/4(M) JIC Hydraulic Fitting	2
27	★ 24-3042	1/2"D x 80" JIC 90° (Mega3000) Hose Assembly	2
28	★ 25-485	3/4(M) JIC to 7/8(M) O-Ring 90° Hydraulic Fitting	2
29	★ 82-250	12,000# Winch (30-286 Series)	1
30	25-310	3/4(M) JIC to 3/4(F) JIC 90° Swivel Hydraulic Fitting	2 / 1★
31	24-1139	3/4"D x 18" Low Pressure Hose	1
32	25-449	1-1/16(M) to 3/4NPT(F) x 90° Hydraulic Fitting	1
33	24-1133	1-1/4"D x 69" 100R4 Hose Assembly	1
34	25-487	Hose Clamp (T-Bolt Type)	2
35	25-395	1-1/4NPT(M) to 1-1/4 Hydraulic Fitting	2
36	25-2387	Ball Valve 1-1/4NPT(F) x 1-1/4NPT	1
37	75-141	Close Nipple 1-1/4NPT	1
38	25-523	1-1/4NPT(M) to 1-1/4NPT(F) 90° Hydraulic Fitting	1
39	25-233	Oil Strainer 25 GPM	1
40	25-2374	3/4NPT Magnetic Plug	1
41	9610-35-0	Hydraulic Tank Weldment	1
42	25-535	Sight Gauge w/ Temp 5"	1
43	25-2391	Gear Pump (P20A396QUYL20-65)	1
44	25-534	1-1/16(M) JIC to 1NPTF(M) Hydraulic Fitting	1
45	24-656	3/4"D x 60" (JIC) 3000 PSI Hose Assembly	1
46	25-215	Filler Cap Assembly	1
47	25-2375	In-Tank Filter (TIF08-025-G)	1
	25-2489	Filter Element (Long)	1
48	25-312	3/4(M) O-Ring to 3/4(M) JIC 45° Elbow Hydraulic Fitting	4
★	Winch		
■	138 / 156 CA		

KP806 HYDRAULIC SCHEMATIC MANUAL CONTROL VALVE



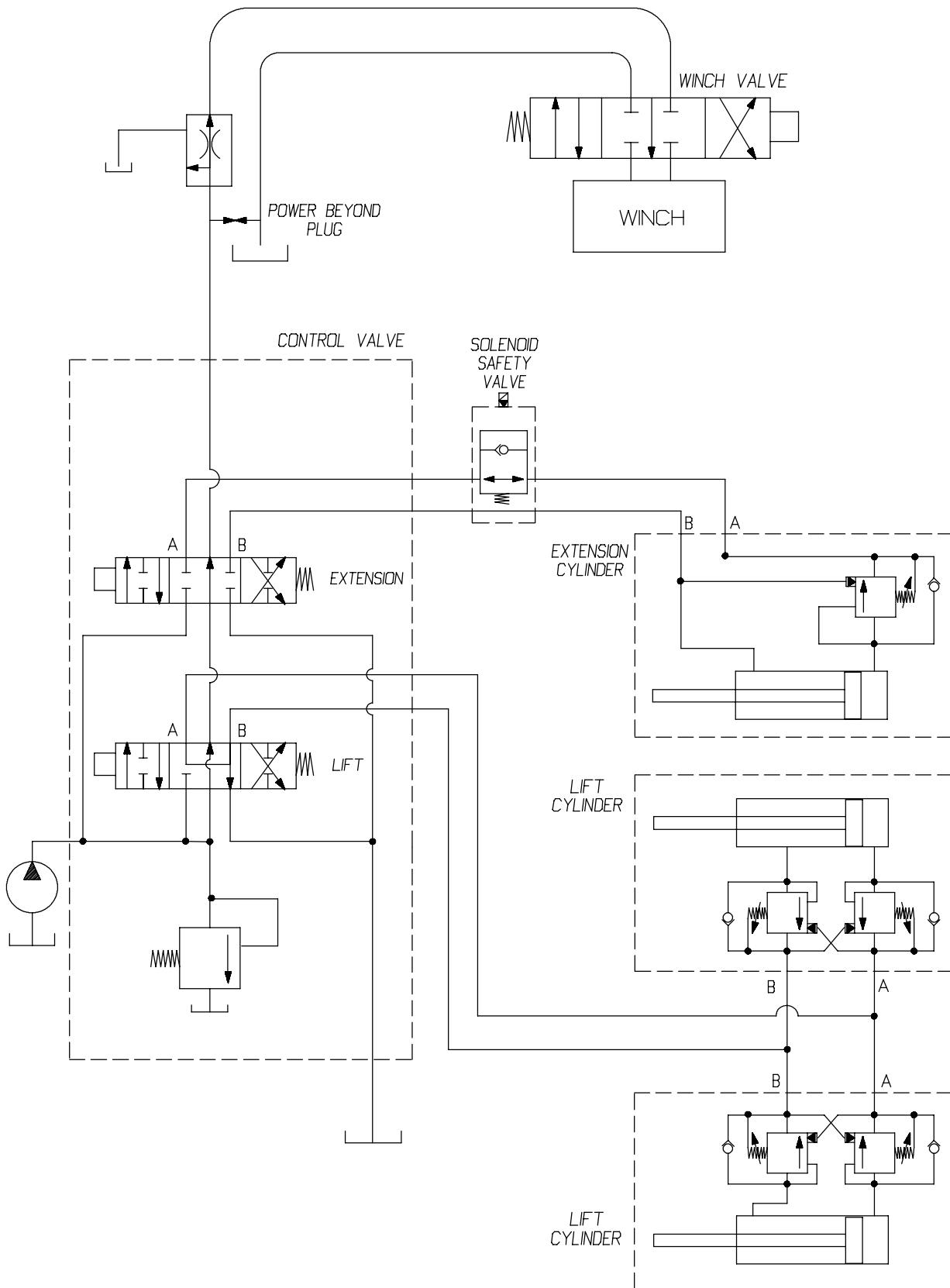
3/19/07
M9810-24

KP806 HYDRAULIC SCHEMATIC ELECTRIC CONTROL VALVE



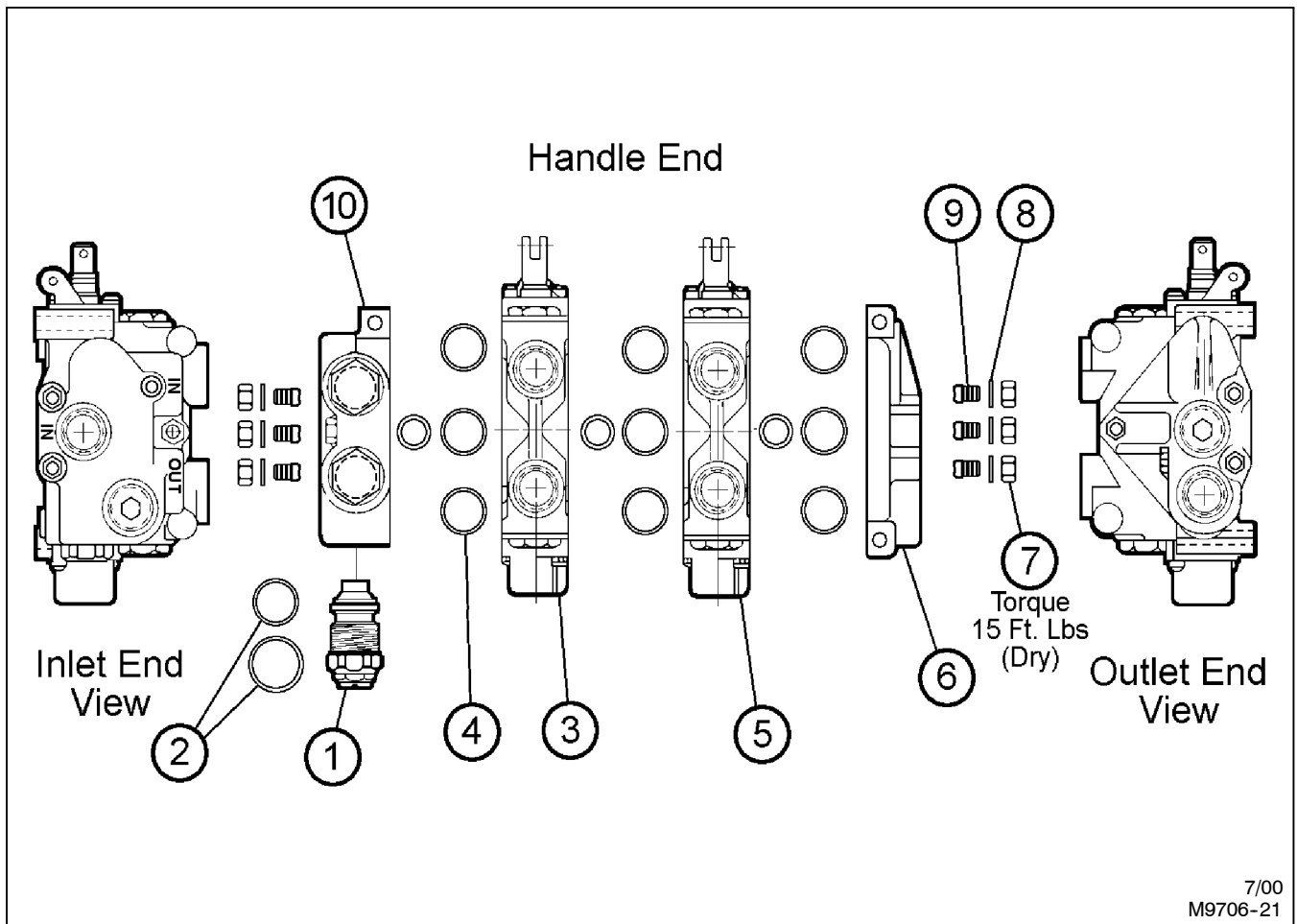
3/19/07
M9810-28

KP810 HYDRAULIC SCHEMATIC MANUAL CONTROL VALVE



4/07
M9810-36

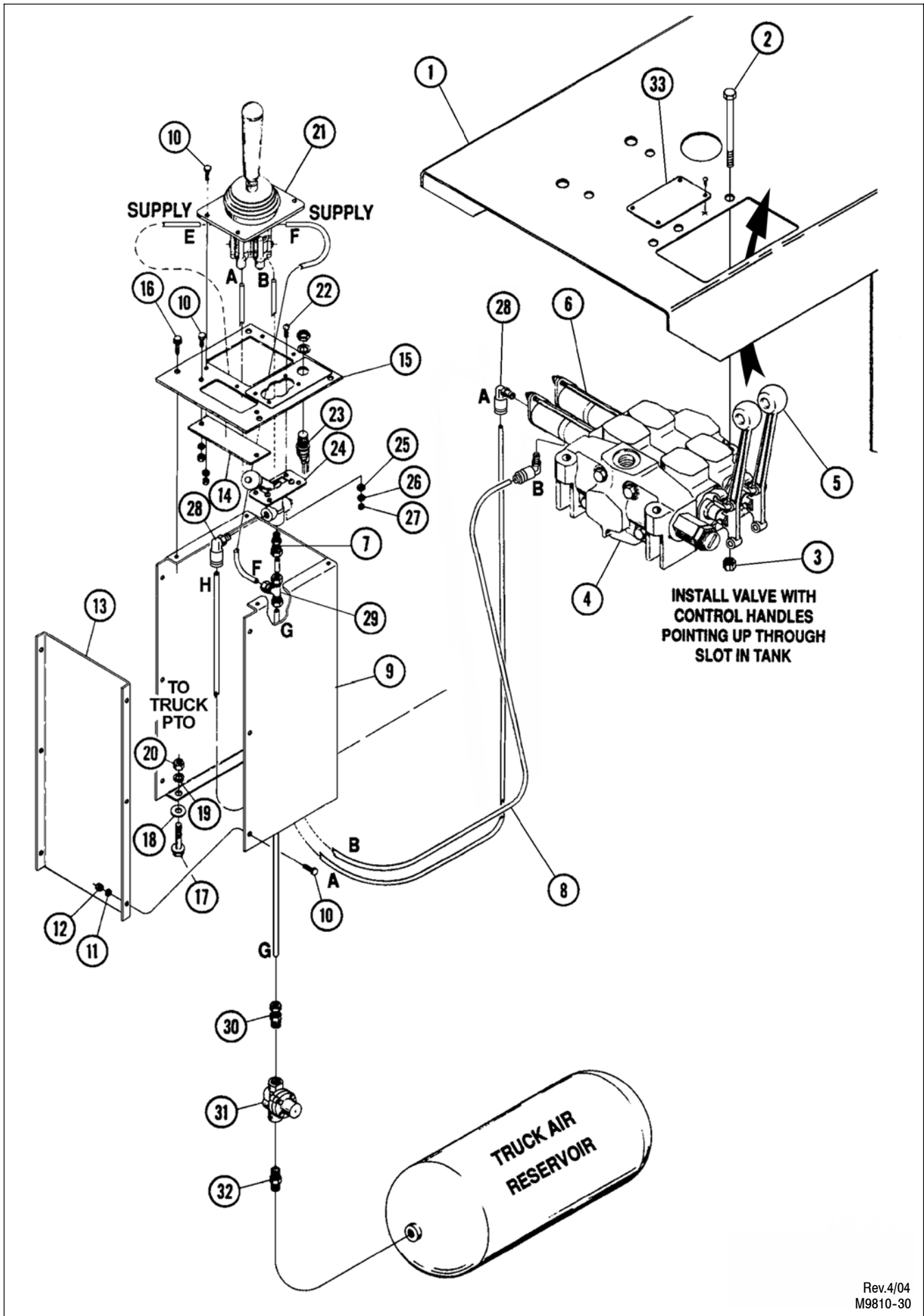
GRESEN VALVE ASSEMBLY



FOR MODELS - ALL

4/04

Item	Part Number	Part Description	Qty.
	25-2495	Gresen V20 2 Spool Valve Assembly (Reversed)	1
1	25-2409	Main Relief Valve	1
2	25-2413	Relief Valve Seal Kit (WH Std. Relief)	1
3	25-2508	Valve Section - 4 Way, 3 Position, Free Flow Spool (Reversed)	1
4	25-2408	Valve Section Seal Kit	1 / Section
5	25-2402	Valve Section - 4 Way, 3 Position Spool (Reversed)	1
6	25-2412	Outlet Cover	1
7		Hex Nut	6
8		Lock Washer	6
9		Studs	3
10	25-2411	Inlet Cover	1



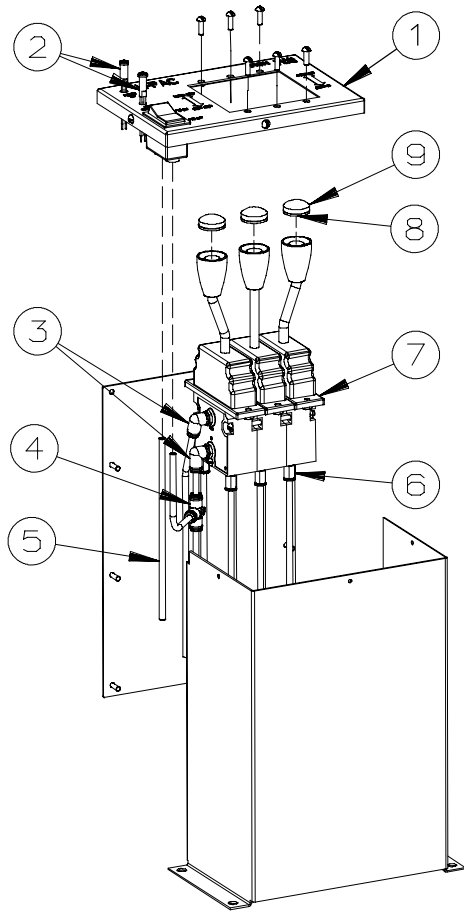
AIR CONTROLS

FOR MODEL - ALL

3/05

<i>Item</i>	<i>Part Number</i>	<i>Part Description</i>	<i>Qty.</i>
1		Hydraulic Tank - 20 Gallon	1
2	62-394	3/16NC x 2-1/2" GD5 Cap Screw	3
3	63-167	5/16NC Nylon Lock Nut	3
4	25-2495	Control Valve - 2 Spool V20 (Reversed Wiff Spool)	1
5	9610-45-0	Handle Kit - V20 Valve	2
6	82-315	Air Actuator V20 1/8NPT	2
7			
8	82-124	Air Line - 80'	
	9274-196-0	Air Control Tower Assembly	1
9	9274-196-2	Tower	1
10	62-530	1/4NC x 1/2" Cap Screw	14
11	64-100	1/4" STD. Lock Washer	14
12	63-100	1/4NC Hex Nut	14
13	9274-196-3	Cover	1
14	9274-196-4	Cap	1
15	9274-196-1	Air Control Mounting Plate	1
16	62-342	1/4NC x 3/4" Hex Washer Thread Cutting Screw	4
17	62-115	3/8NC x 1-1/2" Hex Washer Thread Cutting Screw	4
18	64-104	3/8" STD. Flat Washer	4
19	64-103	3/8" STD. Lock Washer	4
20	63-102	3/8NC Hex Nut	4
21	82-157	Joystick Controller	1
22	62-485	#10NC x 1/2" Cross Recess Pan Head Machine Screw	4
23		P.T.O. Indicator Light	1
24		Air Valve	1
25	64-158	#10 Flat Washer	4
26	64-170	#10 External Tooth Lock Washer	4
27	63-151	#10 Hex Nut	4
28	82-313	Male Swivel Elbow Adapter	5
29	82-314	Tee - 1/4 Tube Quick Lock	1
30	82-163	3/8NPT Male - 1/4" Tube Straight Compression Fitting	1
31		Pressure Protection Valve	1
32	82-167	1/4NPT Hex Nipple	1
33	74-478	Decal - Important Operation Instructions	1

AIR CONTROLLER ASSEMBLY



82-344 KIT INCLUDES CONTROLLER WITH STRAIGHT HANDLE, CLEAR CAP, 2 SWIVEL CONNECTORS, 2 O-RINGS, AND LONGER SCREWS TO RETAIN SECTIONS

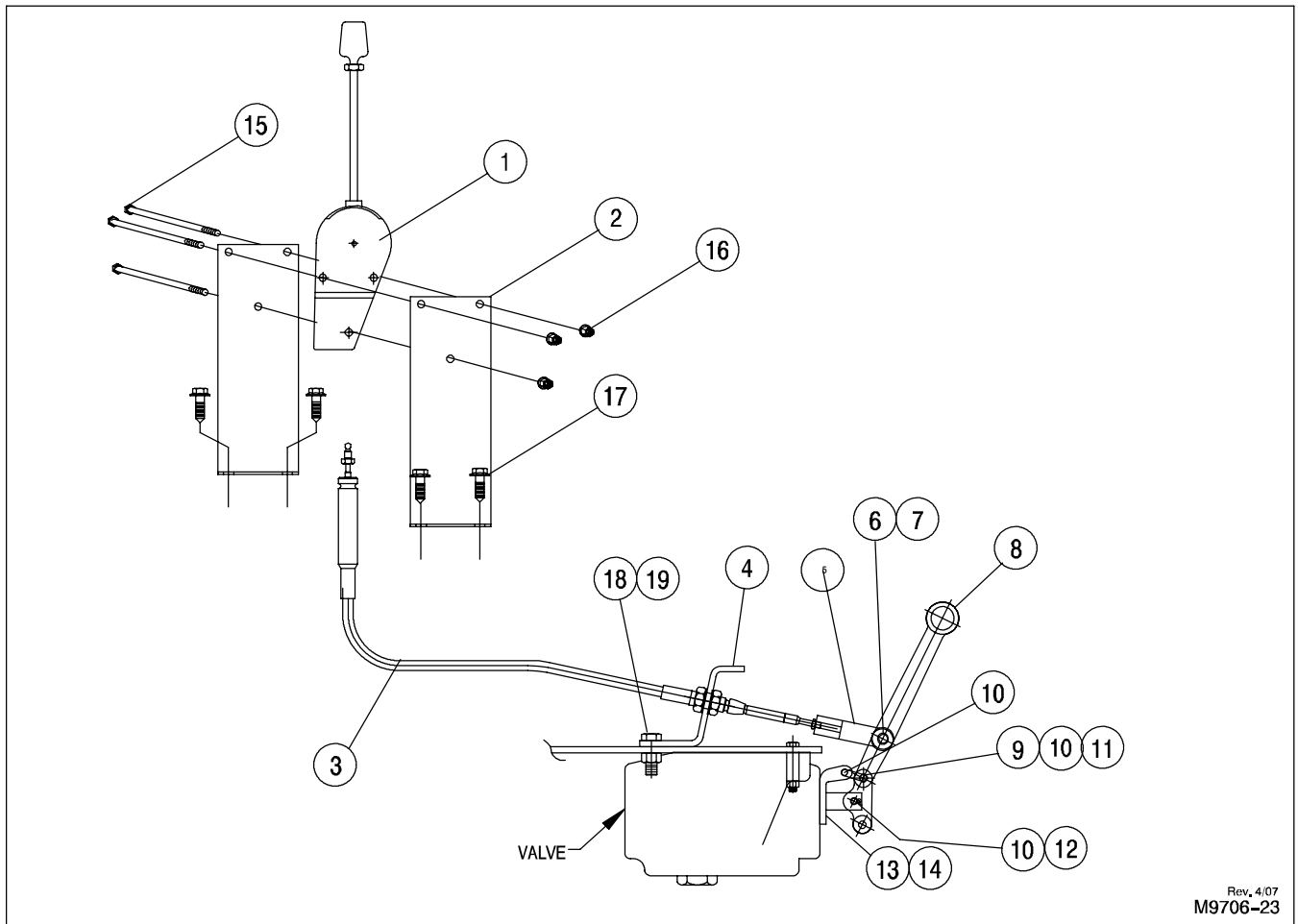
82-345 KIT INCLUDES ELECTRIC PTO SWITCH AND WIRING

FOR MODELS - ALL

11/06

Item	Part Number	Part Description	Qty.
1	82-341	Tower Cover (Stainless Steel)	1
2	79-579	LED Lamp (Includes retaining clip)	2
3	82-313	Elbow, Swivel	2
4	82-314	Tee, Swivel	1
5	82-124	Air Line 1/4od SAE J844 Type "A"	Spec.
6	82-346	Connector, Swivel	4/6★
7	82-332	Pneumatic Controller, 2-Section	1
	82-333	Pneumatic Controller, 3-Section	1
8	74-636	Decals, Controls	1
9	82-343	Clear Cap	2/3★
	82-339	O-Ring (between sections)	2/4★
	82-344	Conversion Kit from 2 To 3 Sections	
	82-345	Conversion Kit To Electric PTO Switch	
Doubled Quantities Reflect 2-Sections / 3 Sections★			

CABLE CONTROLS



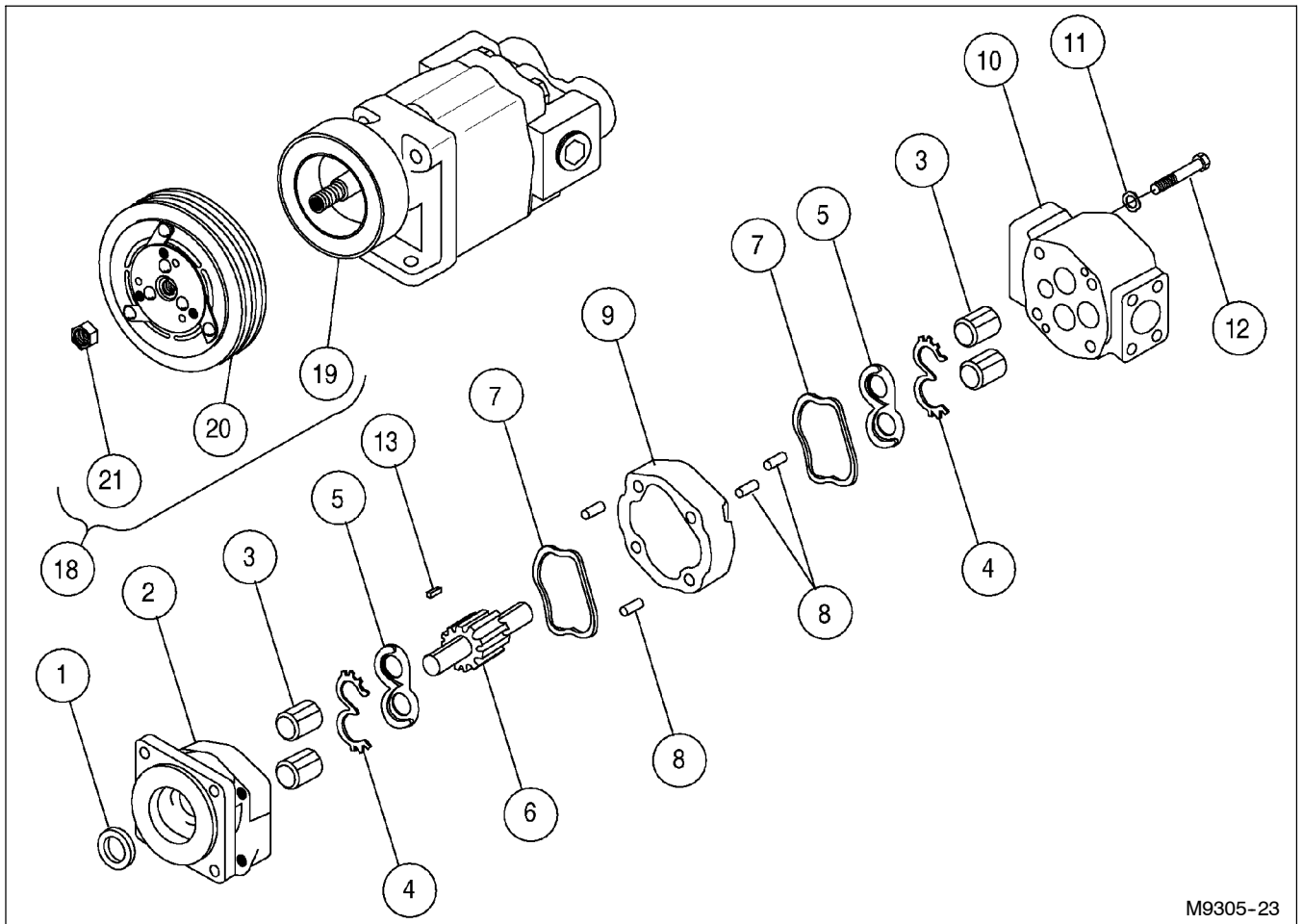
Rev., 4/07
M9706-23

FOR MODELS - ALL

6/07

Item	Part Number	Part Description	2 Spool Qty.	3 Spool Qty.
1	82-238	Controller	2	3
2	9274-0-1305	Control Mount	2	2
3	72-132	Cable - 108" Long	2	3
	72-131	Cable - 156" Long	2	3
	72-109	Cable - 252" Long	2	3
4	9610-0-17	Control Cable Bulkhead Plate	1	0
	9610-0-23	Control Cable Bulkhead Plate	0	1
KIT	72-108	Clevis Kit (Includes ● Items)	2	3
5	●	Clevis w/ 3/8" Hole	2	3
6	●	Pin	2	3
7	●	Cotter Pin	2	3
KIT	9610-45-0	Handle Kit (Includes ★ Items)	2	3
8	★ 9610-108-1	Handle	2	3
KIT	★ 25-2505	Valve Linkage Kit (Includes ■ Items)	2	3
9	■	Link	2	3
10	■	Cotter Pin	6	9
11	■	Link Plate	2	3
12	■	Pin	2	3
13	★ 25-2199	Handle Bracket	2	3
14	★ 25-2201	1/4NC x 7/8" Hex Socket Screw	4	6
15	62-106	1/4NC x 4" GD5 Cap Screw	3	0
	62-839	1/4NC x 6" GD5 Cap Screw	0	3
16	63-141	1/4NC Hex Flange Serrated Nut	3	3
17	62-115	3/8NC x 1-1/2" Hex Washer Thread Cutting Screw	3	3
18	62-420	1/2NC x 1-1/4" GD5 Cap Screw	2	2
19	63-107	1/2NC Lock Nut	2	2

MUNCIE PUMP & CLUTCH ASSEMBLIES



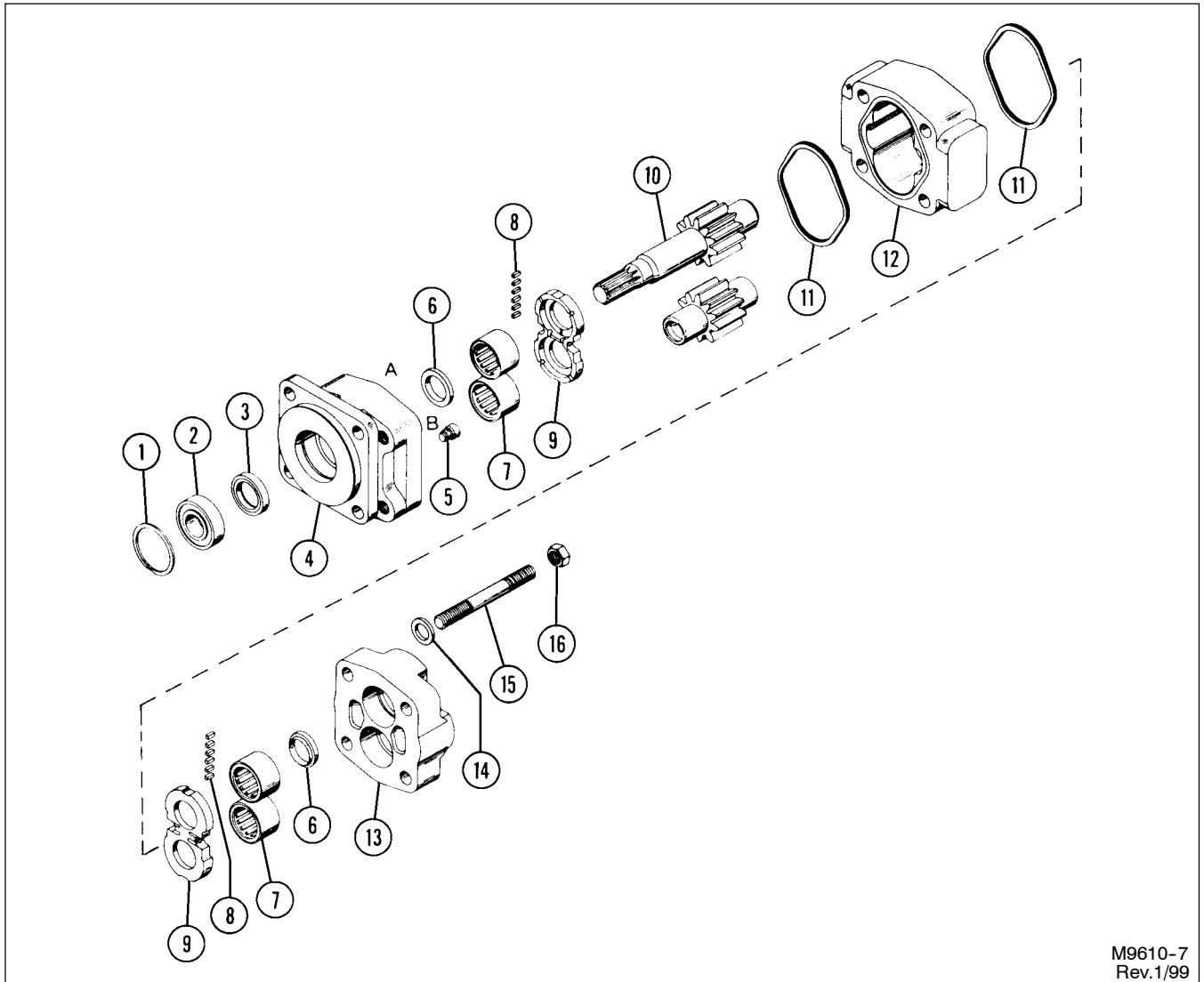
M9305-23

FOR MODELS - KP806

4/04

Item	Part Number	Part Description	Qty.
	25-2139	H Series Pump	
1		Shaft Seal	1
2		Front Cover	1
3		Bushings	4
4		Balance Seal	2
5		Wear Plate	2
6		Gear Set	1
7		Body Seal	2
8		Dowel Pins	4
9		Pump Housing	1
10		Rear Cover	1
11		Lock Washer	4
12		Cap Screw	4
13		Woodruff Key	1
14		Nut	1
15		Snap Ring	1
16		Pipe Plug - 3/4	1
17		Pipe Plug - 1-1/4	1
18	25-2165	Clutch	1
19	25-2166	Coil - Clutch	1
20	25-2167	Pulley - Clutch	1
21		1/2NF Hex Locking Jam Nut	1

DIRECT MOUNT HYDRAULIC PUMP



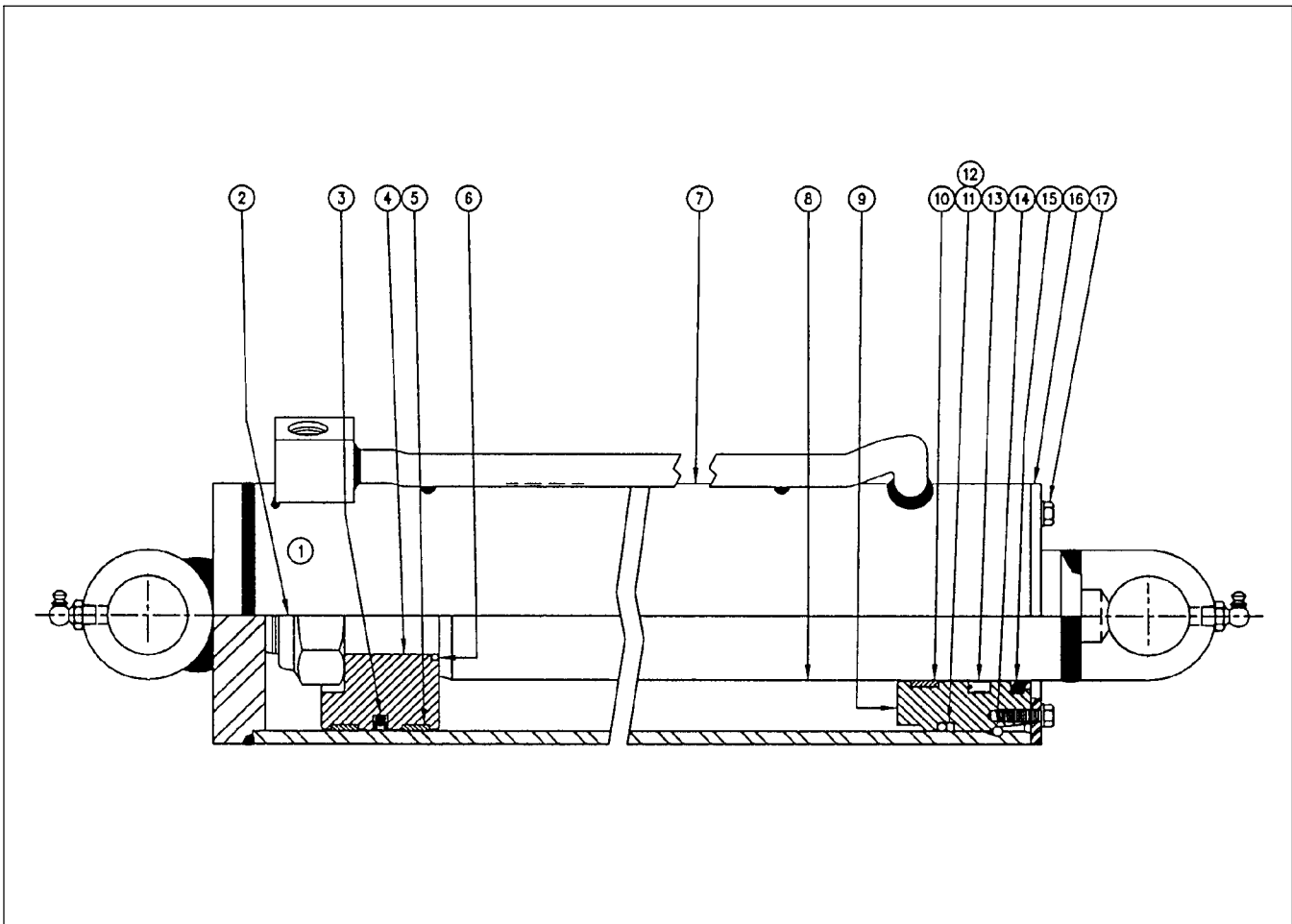
M9610-7
Rev.1/99

FOR MODELS - KP810

6/97

Item	Part Number	Part Description	Qty.
	25-2391	Gear Pump	1
1		Snap Ring	
2		Outboard Bearing	
3		Seal	
4		Shaft End Cover	
5		Check Assemblies or Plug	
6		Ring Seals	
7		Roller Bearings	
8		Pocket Seals	
9		Thrust Plates	
10		Integral Drive Shaft and Gear Set	
11		Gasket Seals	
12		Gear Housing	
13		Port End Cover	
14		Washer	
15		Stud or Cap Screw	
16		Nut	

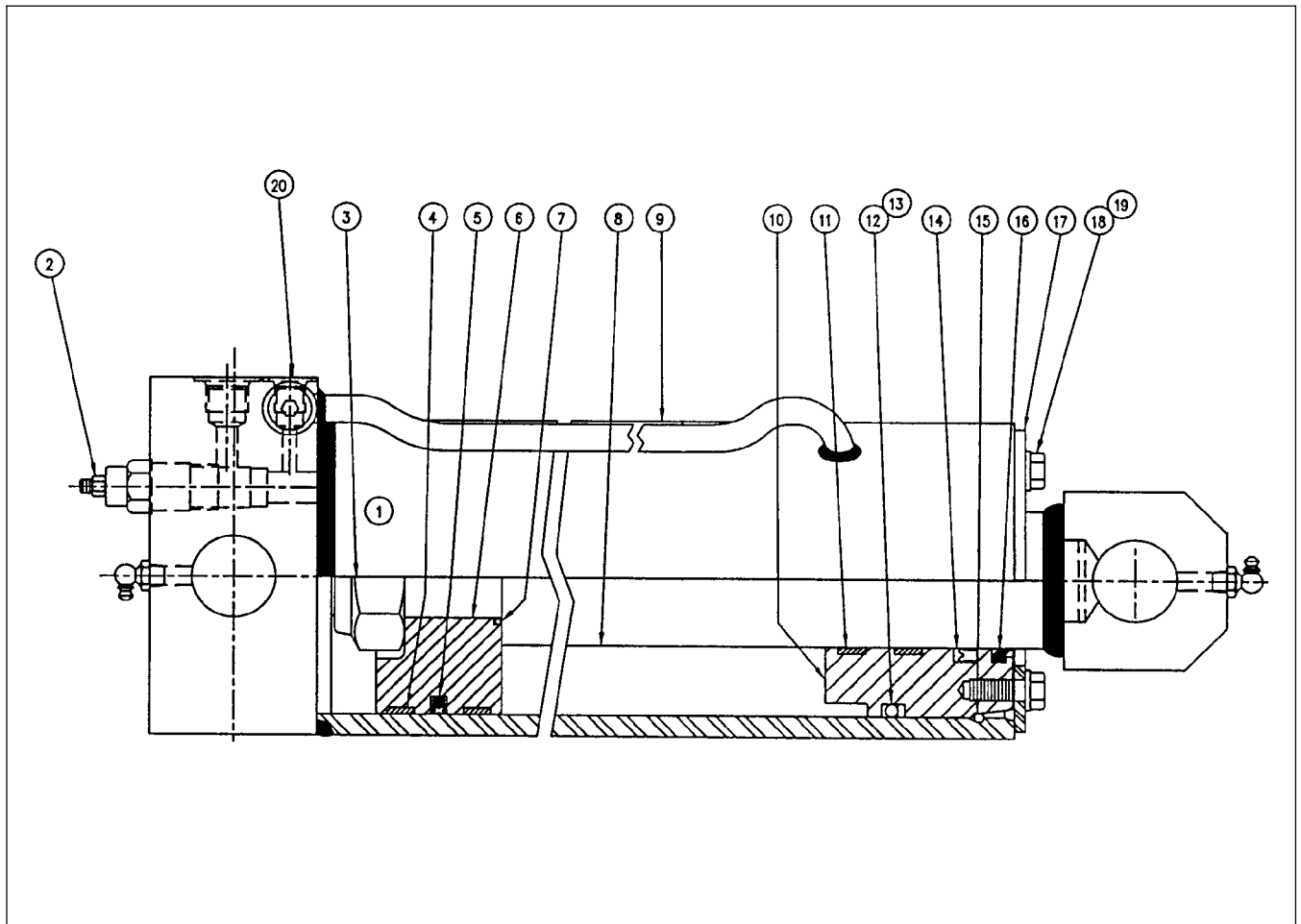
GREEN HYDRAULIC CYLINDER ASSEMBLY



23-718 4-1/2" x 49-3/4" Green Hydraulic Cylinder Assembly (KP806 LIFT) 7/00
 Retracted - 60" Extended - 109-3/4" Stroke - 49-3/4" Rod Dia. - 2-1/2"

Item	Part Number	Part Description	Qty.
1		Manufacturer's Label	1
2		Full Locknut	1
3	★	Piston Seal	1
4		Piston	1
5	★	Wear Ring	2
6	★	O-Ring	1
7		Barrel Assembly	1
8		Rod Assembly	1
9		Sleeve	1
10	★	Wear Ring	1
11	★	O-Ring	1
12	★	Back-up Washer	1
13	★	Rod Seal	1
14		Lock Wire	1
15	★	Rod Wiper	1
16		Washer	1
17		Cap Screws	2
	23-801	Seal Kit (★ Items Included in Kit)	

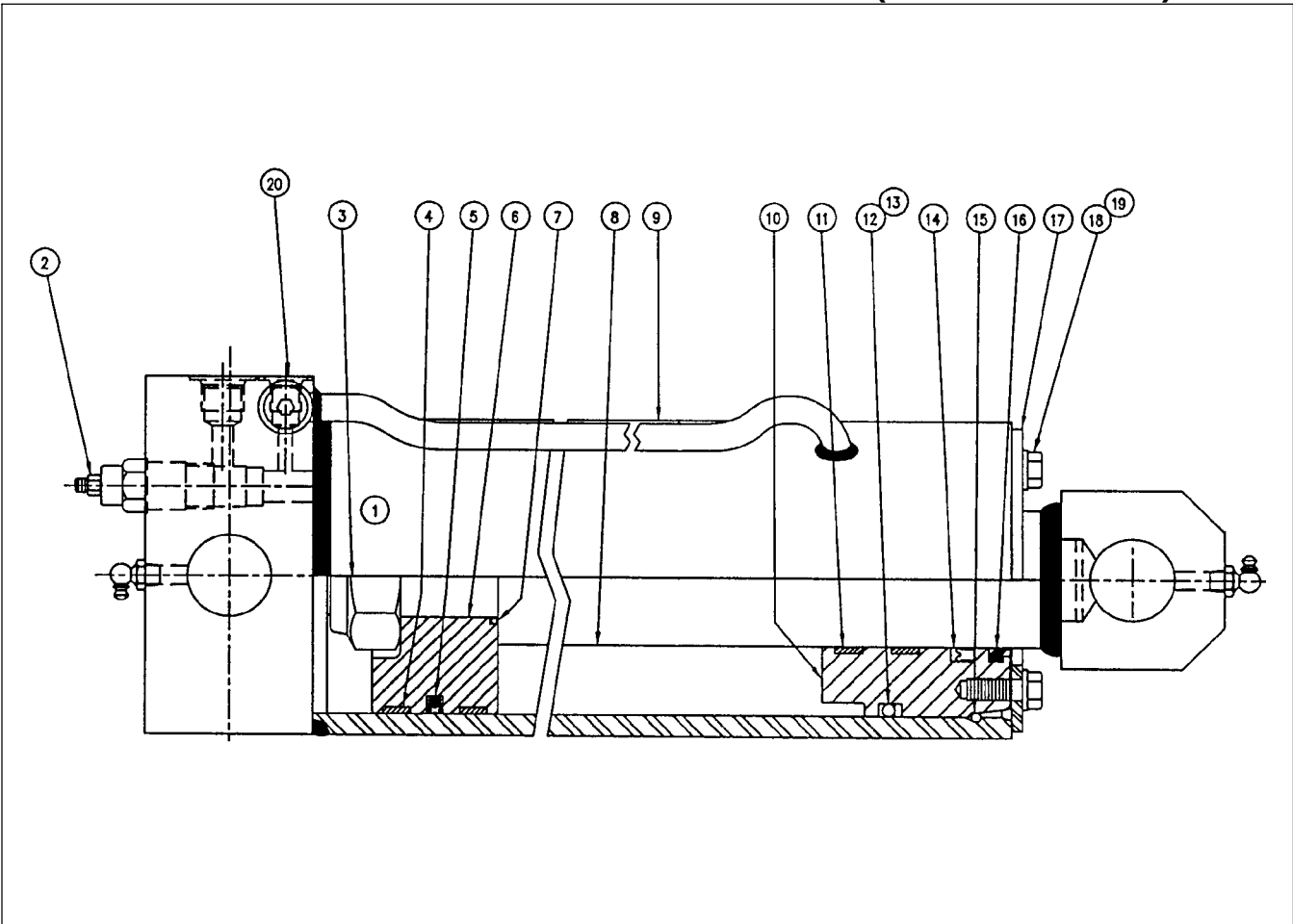
HYDRAULIC CYLINDER ASSEMBLY



23-703 5" x 49-3/4" Hydraulic Cylinder Assembly (KP810 LIFT) 108/120 CA 6/07
 Retracted - 60" Extended - 109-3/4" Stroke - 49-3/4" Rod Dia. - 2-1/2"

Item	Part Number	Part Description	Qty.
1		Manufacturer's Label	1
2	25-2433	Counterbalance Valve	2
3		Full Locknut	1
4	★	Wear Ring	2
5	★	Piston Seal	1
6		Piston	1
7	★	O-Ring	1
8		Rod Assembly	1
9		Barrel Assembly	1
10		Sleeve	1
11	★	Wear Ring	2
12	★	O-Ring	1
13	★	Back-up Washer	1
14	★	Rod Seal	1
15		Lock Wire	1
16	★	Rod Wiper	1
17		Washer	1
18		Cap Screw	2
19		Lock Washer	2
20		Steel O-Ring Plug	3
	● 23-804	Seal Kit (★ Items Included in Kit)	
	●	Not Included in Cylinder Assembly	

HYDRAULIC CYLINDER ASSEMBLY (138 / 156 CA)



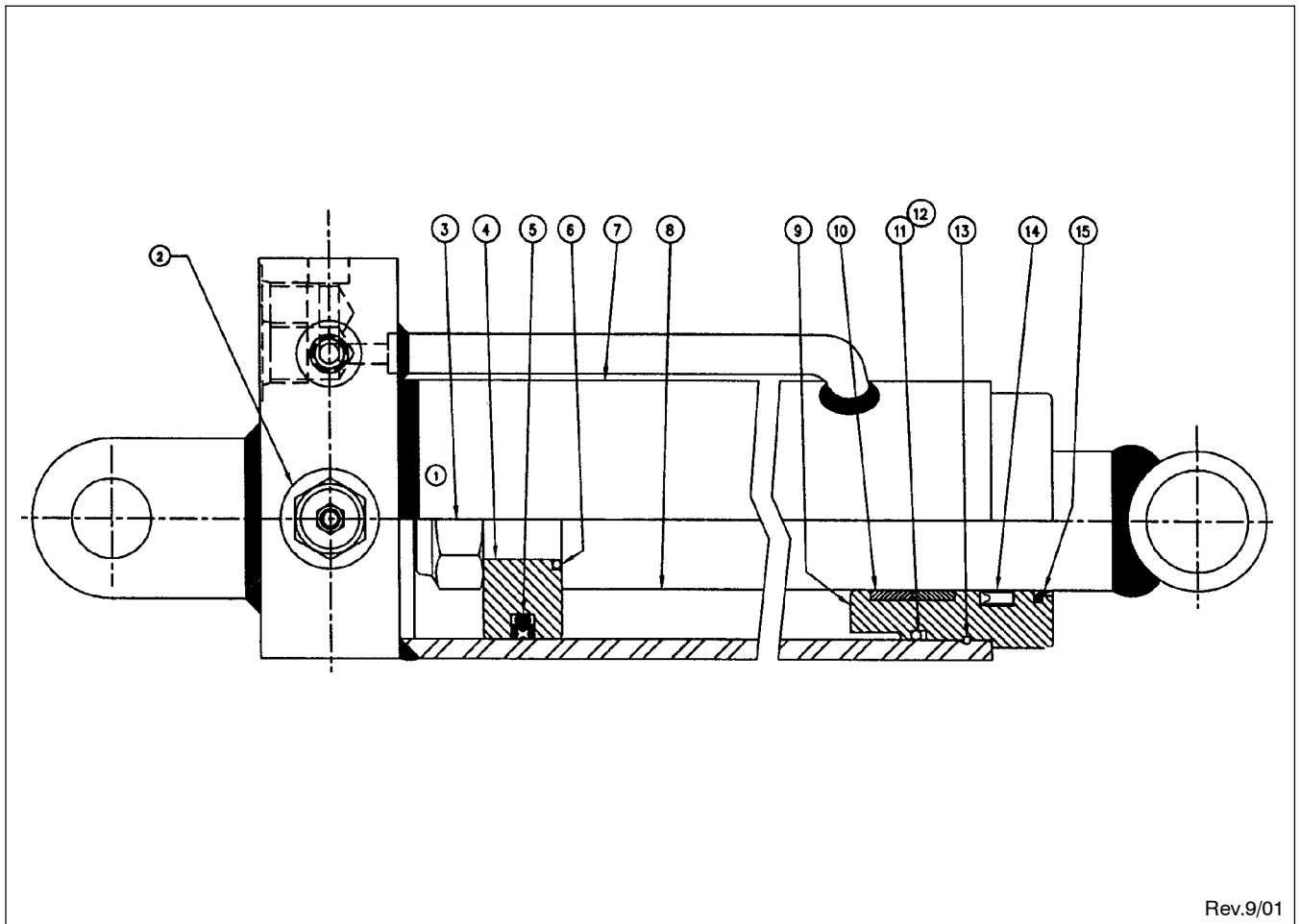
23-727 5" x 57" Hydraulic Cylinder Assembly (KP810 LIFT) 138/156 CA
 Retracted - 67-1/4" Extended - 124-1/4" Stroke - 57"

4/07

Rod Dia. - 2-1/2"

Item	Part Number	Part Description	Qty.
1		Manufacturer's Label	1
2	25-2433	Counterbalance Valve	2
3		Full Locknut	1
4	★	Wear Ring	2
5	★	Piston Seal	1
6		Piston	1
7	★	O-Ring	1
8		Rod Assembly	1
9		Barrel Assembly	1
10		Sleeve	1
11	★	Wear Ring	2
12	★	O-Ring	1
13	★	Back-up Washer	1
14	★	Rod Seal	1
15		Lock Wire	1
16	★	Rod Wiper	1
17		Washer	1
18		Cap Screw	2
19		Lock Washer	2
20		Steel O-Ring Plug	3
	● 23-804	Seal Kit (★ Items Included in Kit)	
	●	Not Included in Cylinder Assembly	

GREEN HYDRAULIC CYLINDER ASSEMBLY

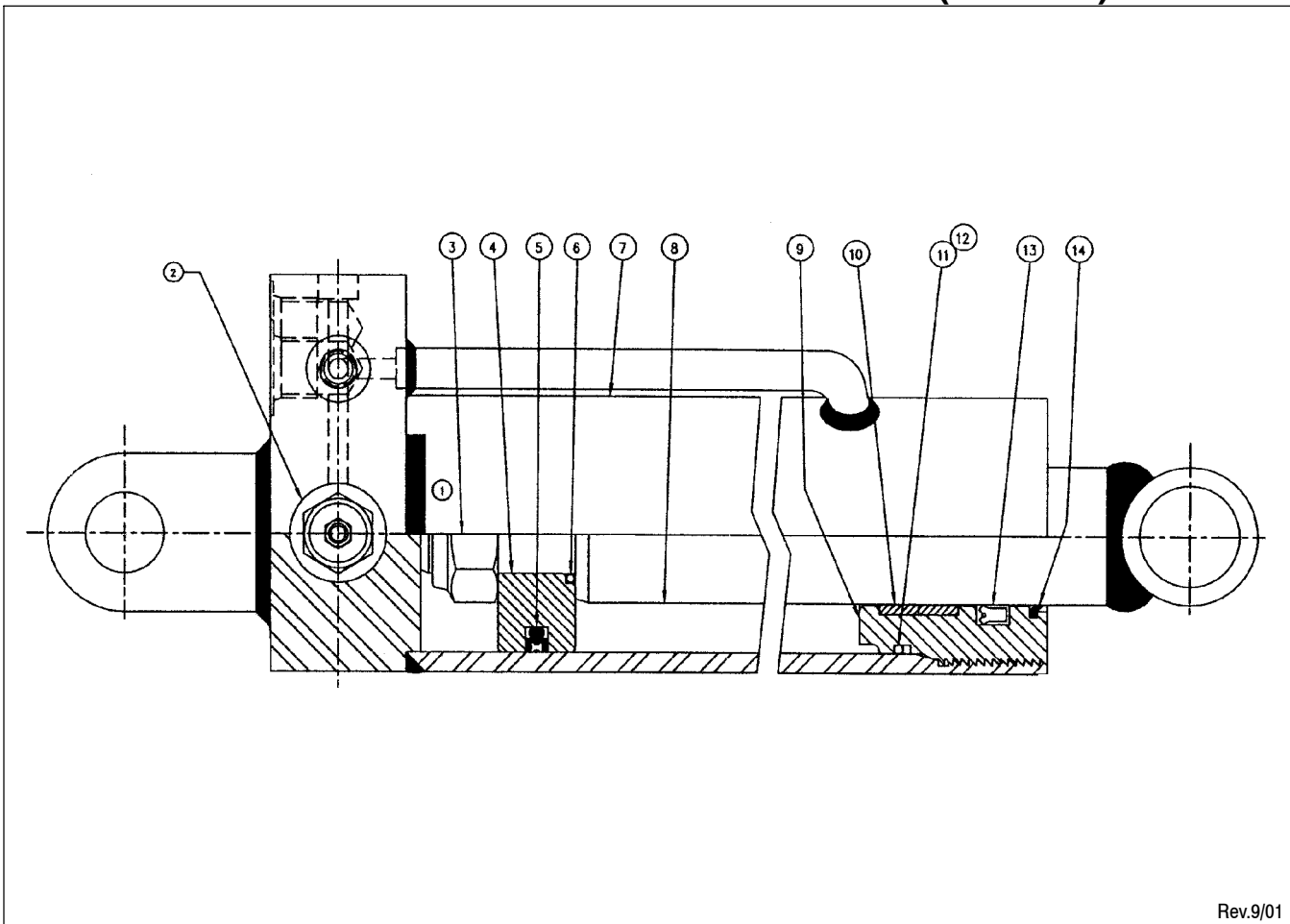


Rev.9/01

23-721 3" x 35" Green Hydraulic Cylinder Assembly (BOOM EXTEND) All models except KP810 156CA 6/07
 Retracted - 45" Extended - 80" Stroke - 35" Rod Dia. - 1-3/4"

Item	Part Number	Part Description	Qty.
1		Manufacturer's Label	1
2	25-2433	Counterbalance Valve	2
3		Full Locknut	1
4		Piston	1
5	★	Piston Seal	1
6	★	O-Ring	1
7		Barrel Assembly	1
8		Rod Assembly	1
9		Head	1
10	★	Wear Ring	1
11	★	O-Ring	1
12	★	Back-up Washer	1
13		Lock Wire	1
14	★	Rod Seal	1
15	★	Rod Wiper	1
16		Steel Plug (not shown)	1
	● 23-803	Seal Kit (★ Items Included in Kit)	
		● Not Included in Cylinder Assembly	

HYDRAULIC CYLINDER ASSEMBLY (156 CA)

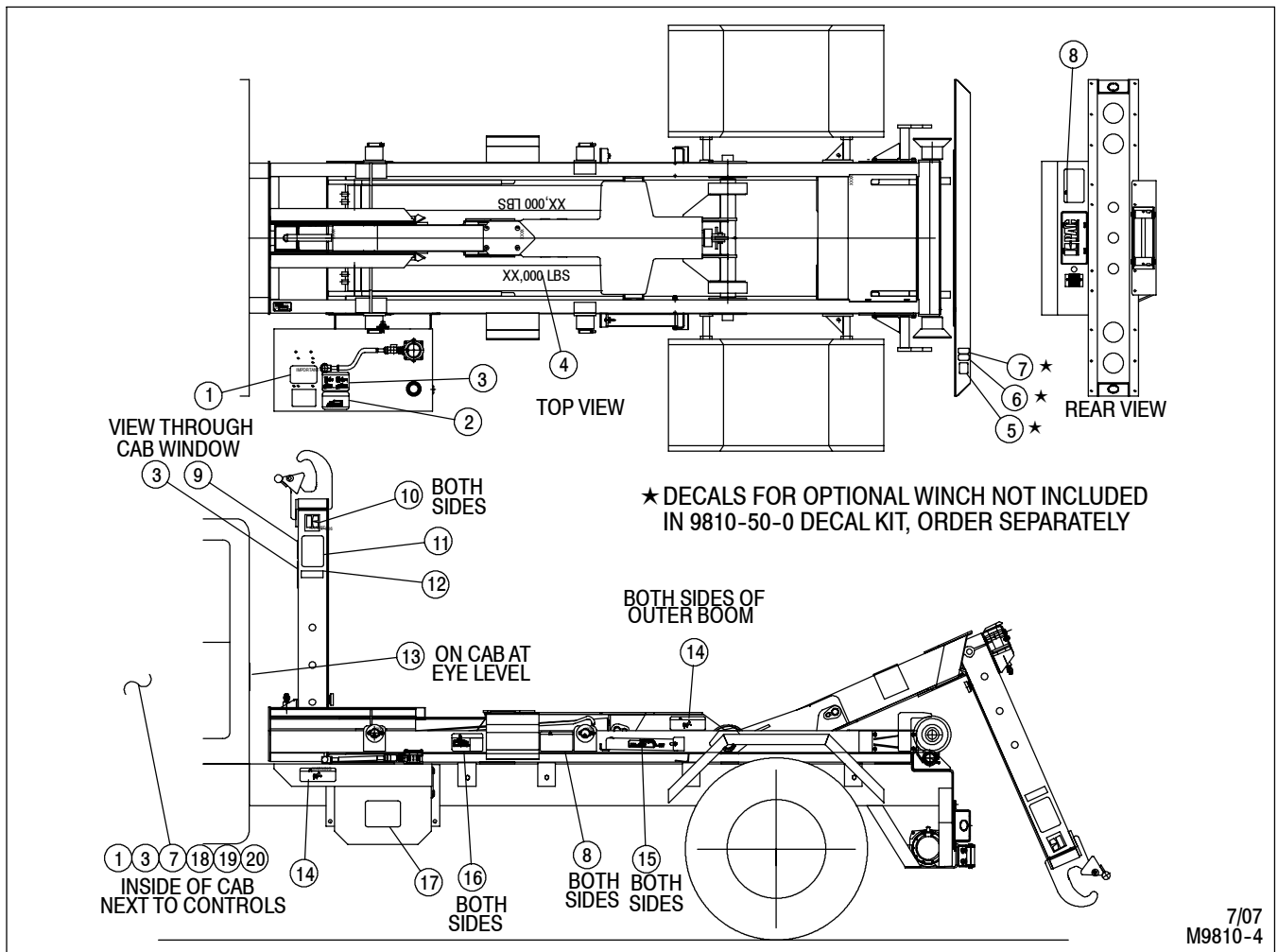


Rev.9/01

23-722 3" x 48" Hydraulic Cylinder Assembly (BOOM EXTEND) KP810 156CA ONLY 6/07
 Retracted - 58" Extended - 106" Stroke - 48" Rod Dia. - 1-3/4"

Item	Part Number	Part Description	Qty.
1		Manufacturer's Label	1
2	25-2433	Counterbalance Valve	2
3		Full Locknut	1
4		Piston	1
5	★	Piston Seal	1
6	★	O-Ring	1
7		Barrel Assembly	1
8		Rod Assembly	1
9		Head	1
10	★	Wear Ring	2
11	★	O-Ring	1
12	★	Back-up Washer	1
13	★	Rod Seal	1
14	★	Rod Wiper	1
15		Steel Plug (not shown)	1
	● 23-803	Seal Kit (★ Items Included in Kit)	
	●	Not Included in Cylinder Assembly	

DECALS



FOR MODELS - ALL

3/08

Item	Part Number	Part Description	Qty.
	9810-50-0	Decal Kit (includes ★ items below)	1
1	★ 74-478	Decal - IMPORTANT Operation Instructions	2
2	★ 74-596	Decal - DANGER Operating Outside Controls	1
3	★ 74-593	Decal - DANGER Lock Must Be Engaged - 716)	3
4	★ 74-479	Decal - 12,000 Lbs.	2
	★ 74-491	Decal - 20,000 Lbs.	2
5	● 74-483	Decal - Winch Instructions	1
6	● 74-476	Decal - CAUTION Set Brake	1
7	● 74-481	Decal - CAUTION Do Not Drive PTO	1
8	★ 74-302	Decal - DANGER Unit Operation	3
9	★ 74-485	Decal - DANGER Powerlines (Hook)	2
10	★ 74-648	Decal - Trademark (4.5" x 4.5")	2
11	★ 74-490	Decal - DANGER Hook Height Must Match	1
12	★ 74-512	Decal - K-Pac Patent	1
13	★ 74-477	Decal - CAUTION Operate on Level	1
14	★ 74-276	Decal - WARNING Hydraulic Safety	3
15	★ 74-387	Decal - Maintenance Lock	2
16	★ 74-288	Decal - WARNING Raised Hoist	2
17	★ 74-627	Decal - K-PAC	1
18	★ 74-297	Decal - WARNING Uneven Ground	1
19	★ 74-486	Decal - WARNING Align Container	1
20	★ 74-542	Decal - Hoist Up	1
	■ 74-600	Conspicuity tape - Red / White (not shown)	20 ft.
	■ 74-601	Conspicuity tape - White (not shown)	4

● Order separately for winch option

■ Specify quantity

This page intentionally left blank.