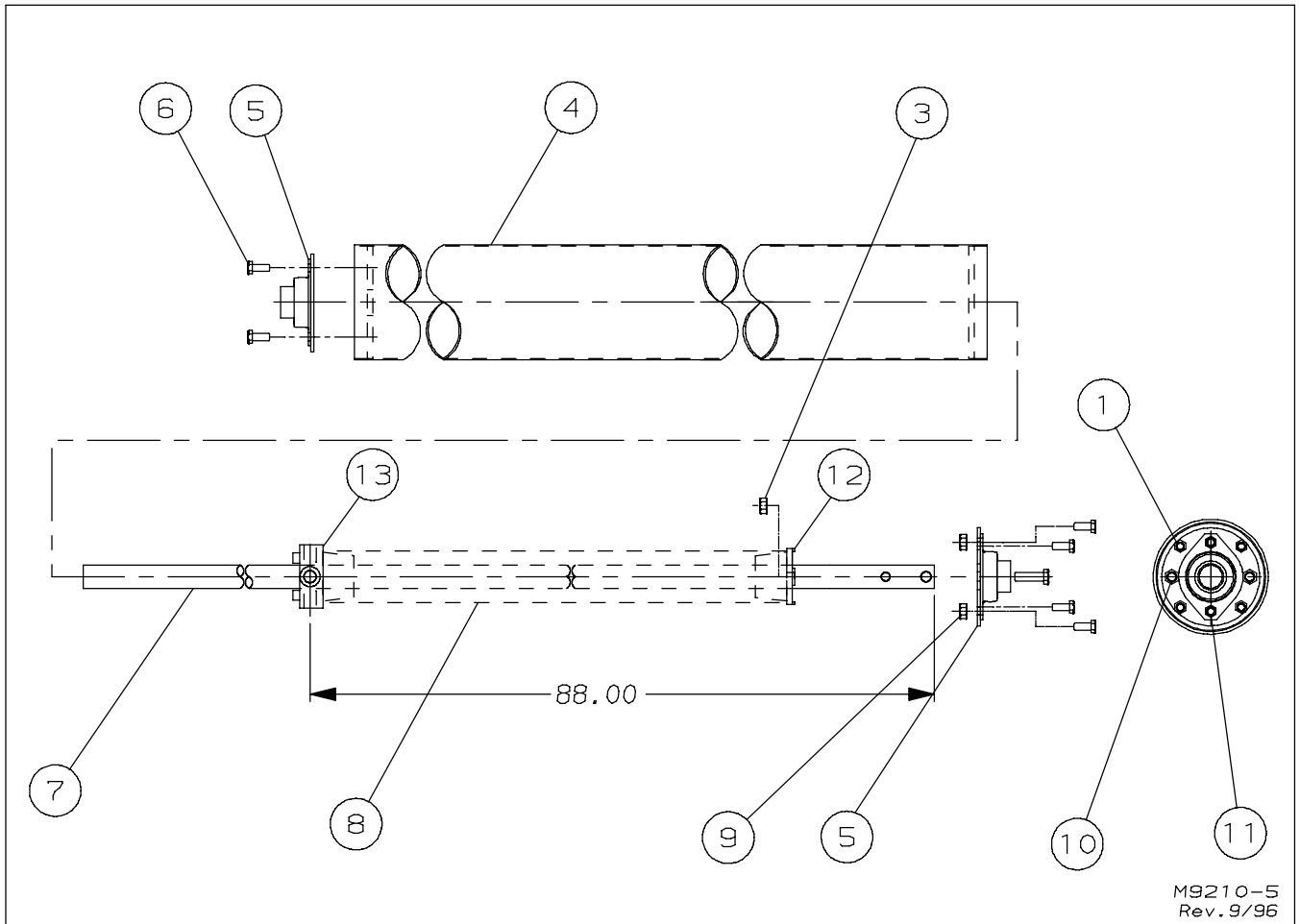


# TARP ROLLER ASSEMBLY (SERIAL #1001-2999)



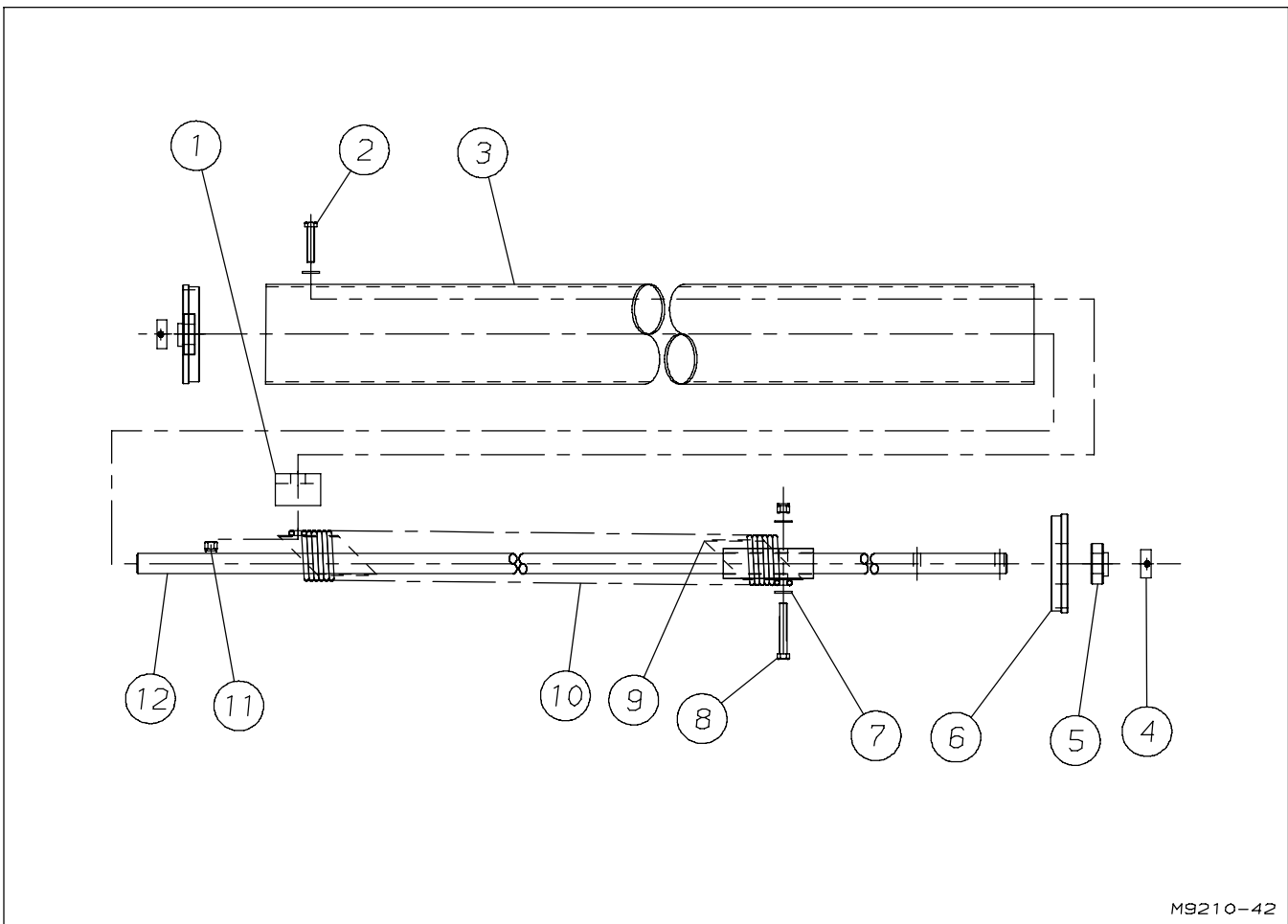
M9210-5  
Rev. 9/96

## FOR MODELS -

2/05

Item	Part Number	Part Description	Qty.
	9210-9-0A	Tarp Roller Assembly	1
1	62-430	5/16NC x 3/4" GD. 5 Hex Flange Serrated Bolt	4
2			
3	63-103	3/8NC Lock Nut	2
4	9210-10-0A	Tarp Roller Weldment	1
5	9210-8-0	2 Bolt Bearing & Mounting Plate Arm	2
6	62-430	5/16NC x 3/4" GD. 5 Hex Flange Serrated Bolt	2
7	9210-9-1A	Tarp Shaft	1
8	★ 82-237	Torsion Spring Assembly (Includes Items 12, 13)	1
9	63-139	5/16NC Lock Nut	2
10	62-436	3/8NC x 1-1/4" Cap Screw	2
11	62-430	5/16NC x 3/4" GD. 5 Hex Flange Serrated Bolt	4
12	★ 82-234	2" Stationary Cone	1
13	★ 82-235	2" Red Winding Cone	1

# TARP ROLLER ASSEMBLY (SERIAL #3000-4199)



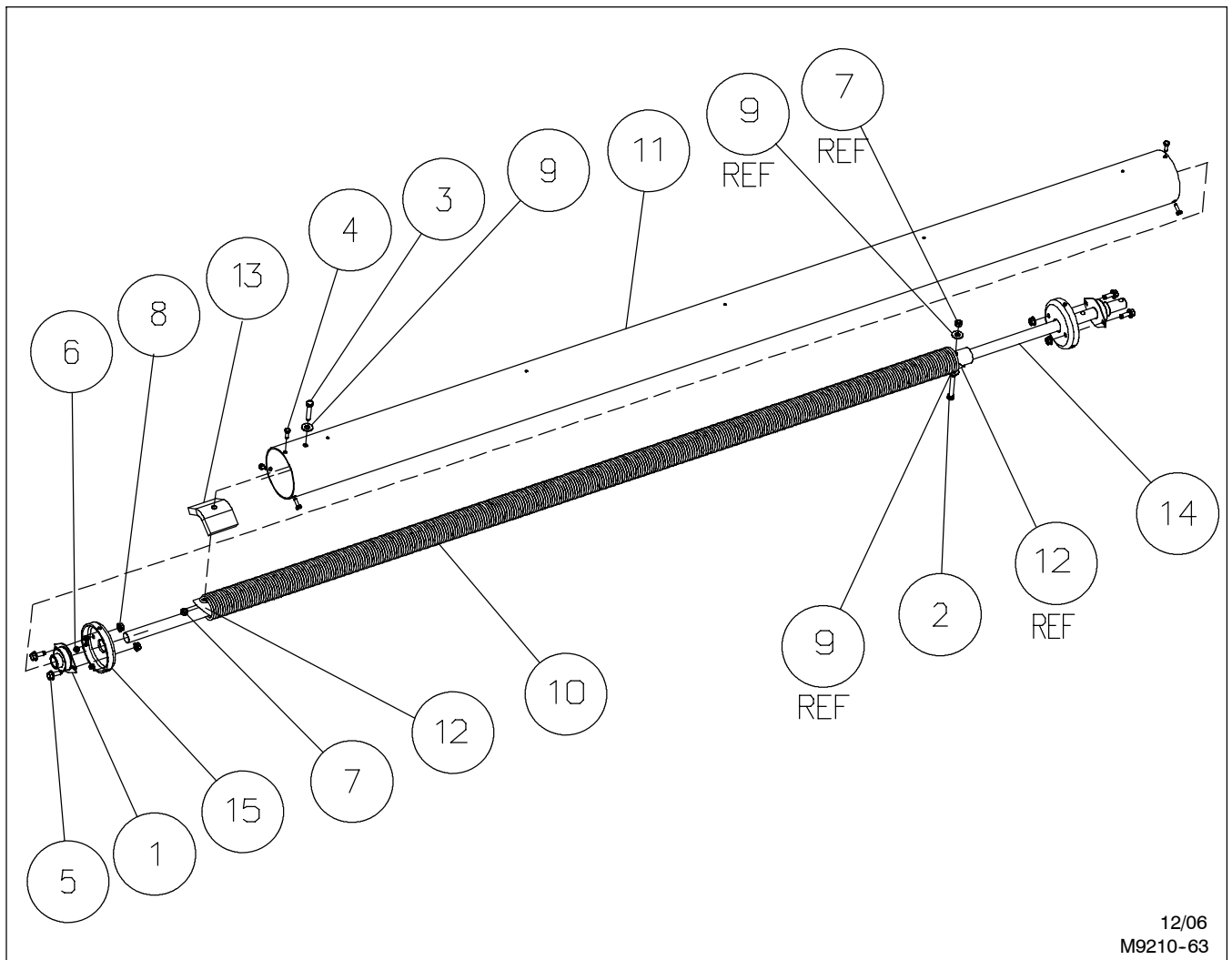
M9210-42

## FOR MODELS -

2/05

Item	Part Number	Part Description	Qty.
	9210-40-0	Tarp Roller Assembly	1
1	9210-40-6	Spacer Spring	1
2	62-415	3/8NC x 1-3/4" GD5 Cap Screw	1
3	9210-40-1	Tarper Roller (Aluminum)	1
4	40-136	Collar, Lock	2
5	40-134	Bearing	2
6	9210-40-3	End Cap, Roller Tube	2
7	64-104	3/8" SAE Flat Washer	3
8	62-118	3/8NC x 2-1/2" GD5 Cap Screw	1
9	9210-40-4	Inner Spring Support	2
10	76-233	Tarper Roller Spring	1
11	63-103	3/8NC Lock Nut	2
12	9210-41-0	Tarper Roller Shaft	1

# TARP ROLLER ASSEMBLY (SERIAL #4200 & ON)

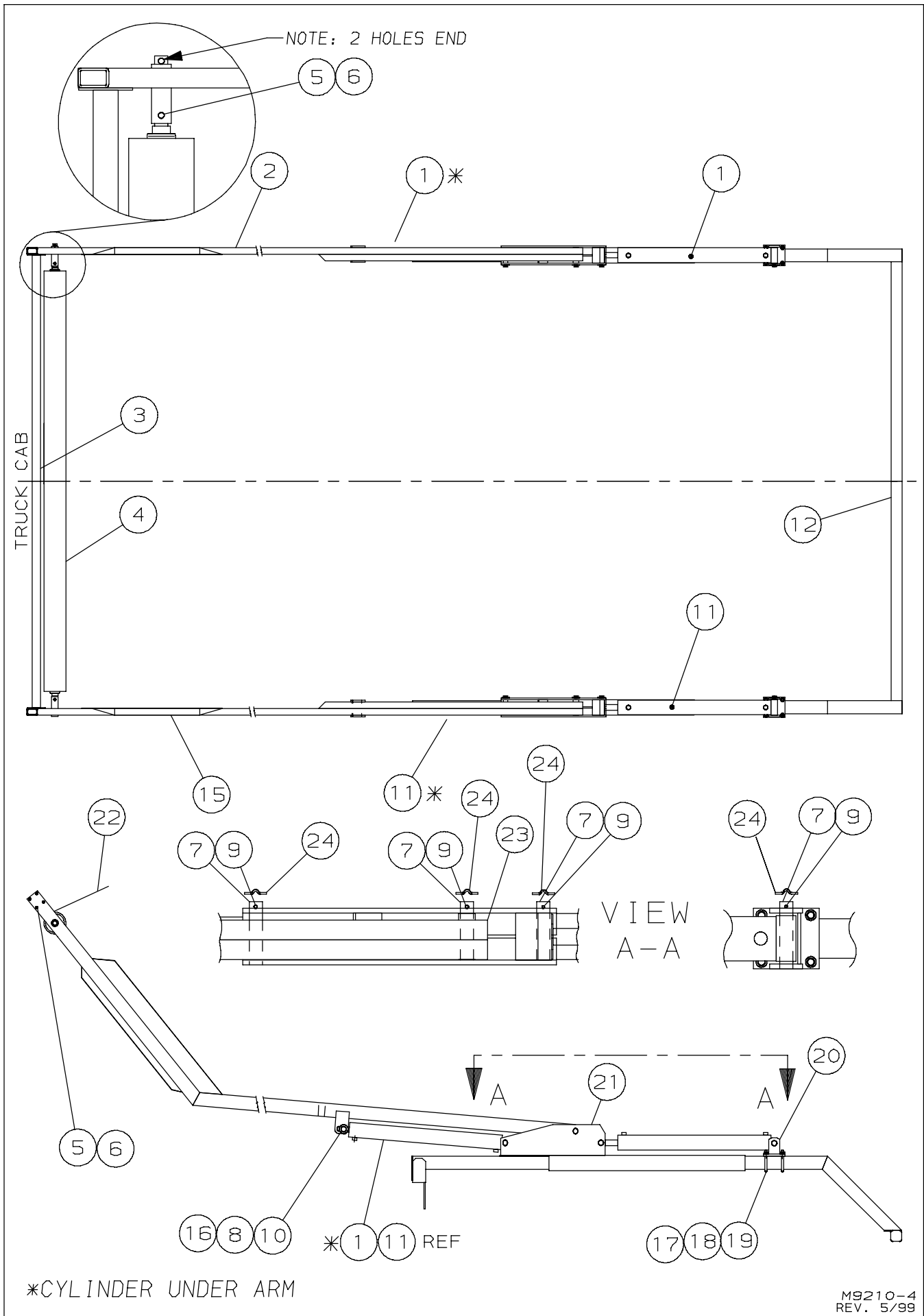


12/06  
M9210-63

## FOR MODELS -

12/06

Item	Part Number	Part Description	Qty.
	9210-9-0B	Steel Tarp Roller Assembly	1
1	40-159	Bearing, 2-Bolt	2
2	62-118	3/8NC x 2-1/2" GD5 Cap Screw	1
3	62-415	3/8NC x 1-3/4" GD5 Cap Screw	1
4	62-507	1/4NC x 3/4" GD5 Cap Screw	6
5	62-779	3/8NC x 1" GD8 Hex Washer Thread Forming Screw	4
6	63-101	1/4NC Lock Nut	6
7	63-103	3/8NC Lock Nut	2
8	63-140	3/8NC Hex Flange Nut	4
9	64-104	3/8" STD. Flat Washer	3
10	76-233	Torsion Spring	1
11	9210-10-1A	Tarp Tube	1
12	9210-40-4	Inner Spring Support	2
13	9210-40-6	Spacer, Spring	1
14	9210-41-0	Shaft	1
15	9210-9-3	End Cap	2

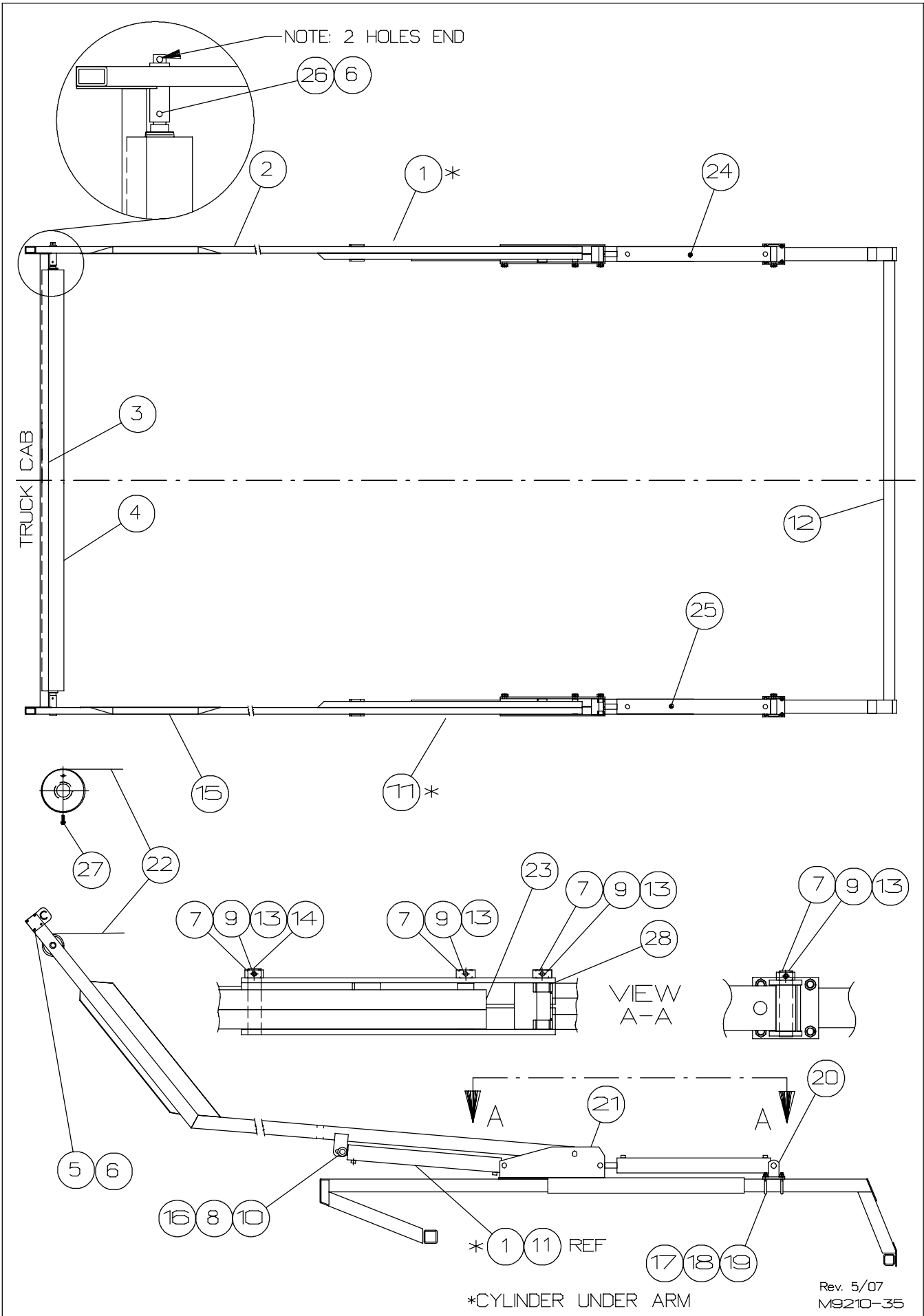


# TARP ARMS AND ROLLER

**FOR MODELS - SERIAL #1001 - 1750**

6/99

<i>Item</i>	<i>Part Number</i>	<i>Part Description</i>	<i>Qty.</i>
1	21-178	Hydraulic Cylinder 2-1/2" x 30" D.A.W.	2
2	9210-7-0	Tarp Arm Weldment - Right	1
3	9210-20-0	Torque Tube Weldment	1
4	9210-9-0A	Tarp Roller Assembly	1
5	62-544	3/8NC x 2" GD. 5 Cap Screw	9
6	63-103	3/8NC Lock Nut	9
7	9210-15-24	1" DIA. Pin	8
8	64-119	1" STD. Flat Washer	2
9	60-606	1/4" DIA. x 2" Roll Pin	8
10	60-705	3/16" DIA. x 2-1/2" Cotter Pin	6
11	21-179	Hydraulic Cylinder 3" x 30" D.A.W.	2
12	9210-15-7	Rear Cross Tube	1
13			
14			
15	9210-6-0	Tarp Arm Weldment - Left	1
16	9210-24-0	Cylinder Pin Weldment	2
17	61-210	1/2" DIA. U-Bolt	4
18	64-107	1/2" STD. Lock Washer	8
19	63-106	1/2NC Hex Nut	8
20	9210-21-0A	Cylinder Lug Weldment	2
21	9210-5-0	Pivot Base Weldment	2
22	44-179	Tarp (Mesh)	1
23	65-118	3/16" Drive Zerk	2
24	6300-43-8	1" Pin Lock Washer (Weld on)	8

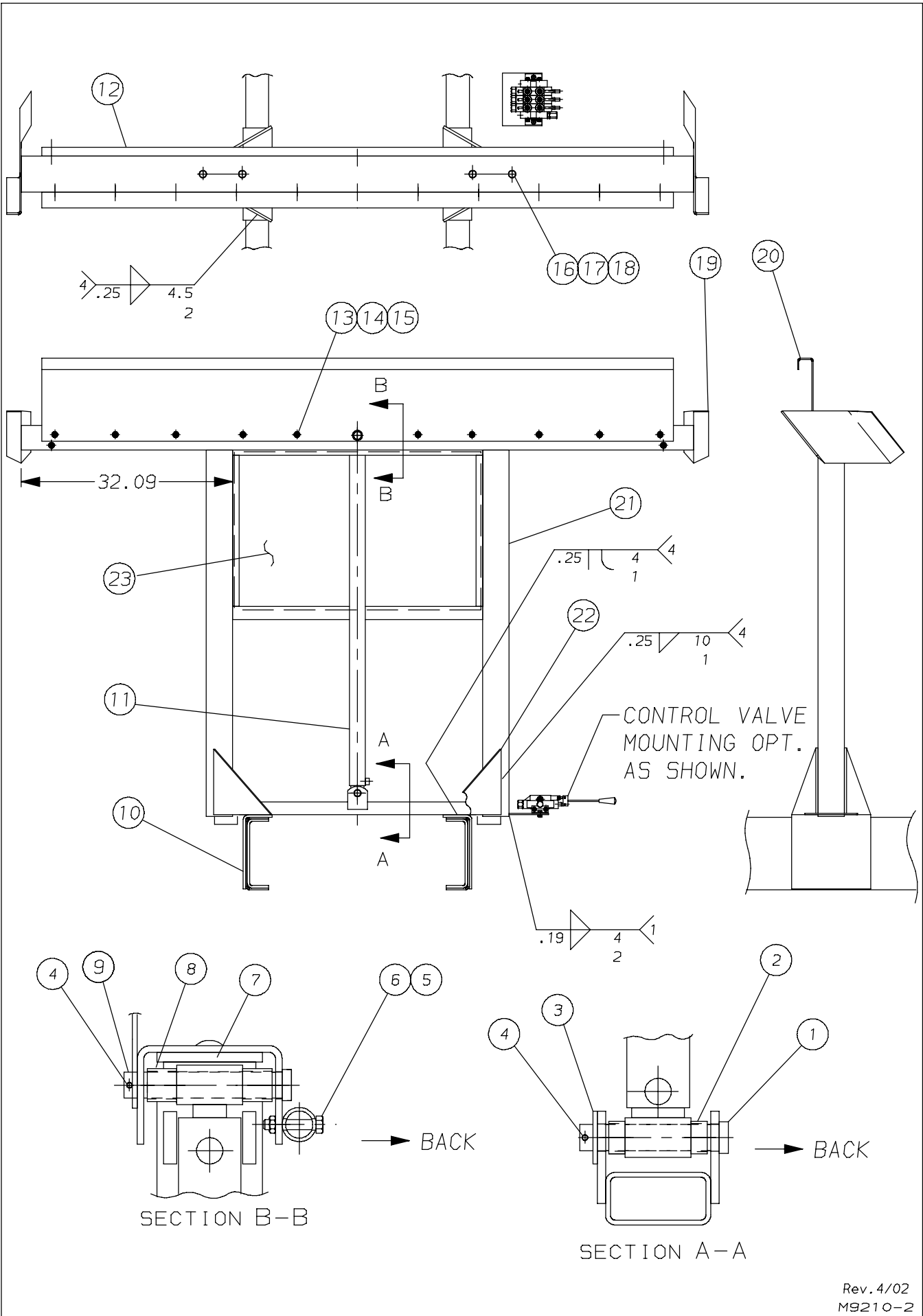


# TARP ARMS AND ROLLER

**FOR MODELS - KPAT Serial# 1751 & On**

7/07

<i>Item</i>	<i>Part Number</i>	<i>Part Description</i>	<i>Qty.</i>
1	21-178	2-1/2" x 30" D.A.W. Hydraulic Cylinder	1
2	9210-7-0	Tarp Arm Weldment - Right	1
3	9210-45-0	Offset Torsion Bar Weldment ( <b>Serial #3000 &amp; On</b> )	1
	9210-20-0	Torque Tube Weldment ( <b>Serial #1001-2999</b> )	
4	9210-9-0B	Steel Tarp Roller Assembly ( <b>Serial #4200 &amp; On</b> )	1
	9210-40-0	Tarp Roller Assembly ( <b>Serial #3000-4199</b> )	
	9210-9-0A	Tarp Roller Assembly ( <b>Serial #1001-2999</b> )	
5	62-118	3/8NC x 2-1/2" GD5 Cap Screw	8
6	63-103	3/8NC Lock Nut	10
7	9210-0-2	Lock Ring	8
8	64-119	1" STD. Flat Washer	2
9	62-792	5/16NC x 2" GD5 Cap Screw	8
10	60-705	3/16" DIA. x 2-1/2" Cotter Pin	2
11	21-179	3" x 30" D.A.W. Hydraulic Cylinder	1
12	9210-15-7	Rear Cross Tube	1
13	63-139	5/16NC Lock Nut	8
14	9210-0-1	Pin	8
15	9210-6-0	Tarper Arm Weldment - Left	1
16	9210-24-0	Cylinder Pin Weldment	2
17	61-210	1/2" DIA. U-Bolt	4
18	64-107	1/2" STD. Lock Washer	8
19	63-106	1/2NC Hex Nut	8
20	9210-21-0A	Cylinder Lug Weldment	2
21	9210-5-0	Pivot Base Weldment	2
22	44-179	Tarp (White Mesh Auto-Tarp Cover)	1
	44-184	Tarp (White Solid Auto-Tarp Cover)	1
	44-217	Tarp (Black Mesh Auto-Tarp Cover)	1
	9210-35-0	Tarp w/Cut-Out for Hook Hoist (White Mesh)	1
23	65-118	3/16" Drive Zerk	2
24	21-1015	2-1/2" x 42" Cylinder Assembly - Right Side	1
25	21-1016	3" x 42" Cylinder Assembly - Left Side	1
26	62-544	3/8NC x 2" GD5 Cap Screw	2
27	62-342	1/4NC x 3/4" Hex Washer Thread Cutting Screw	5
28	9210-15-10	Spacer (3/4" Long)	2



Rev. 4/02  
M9210-2

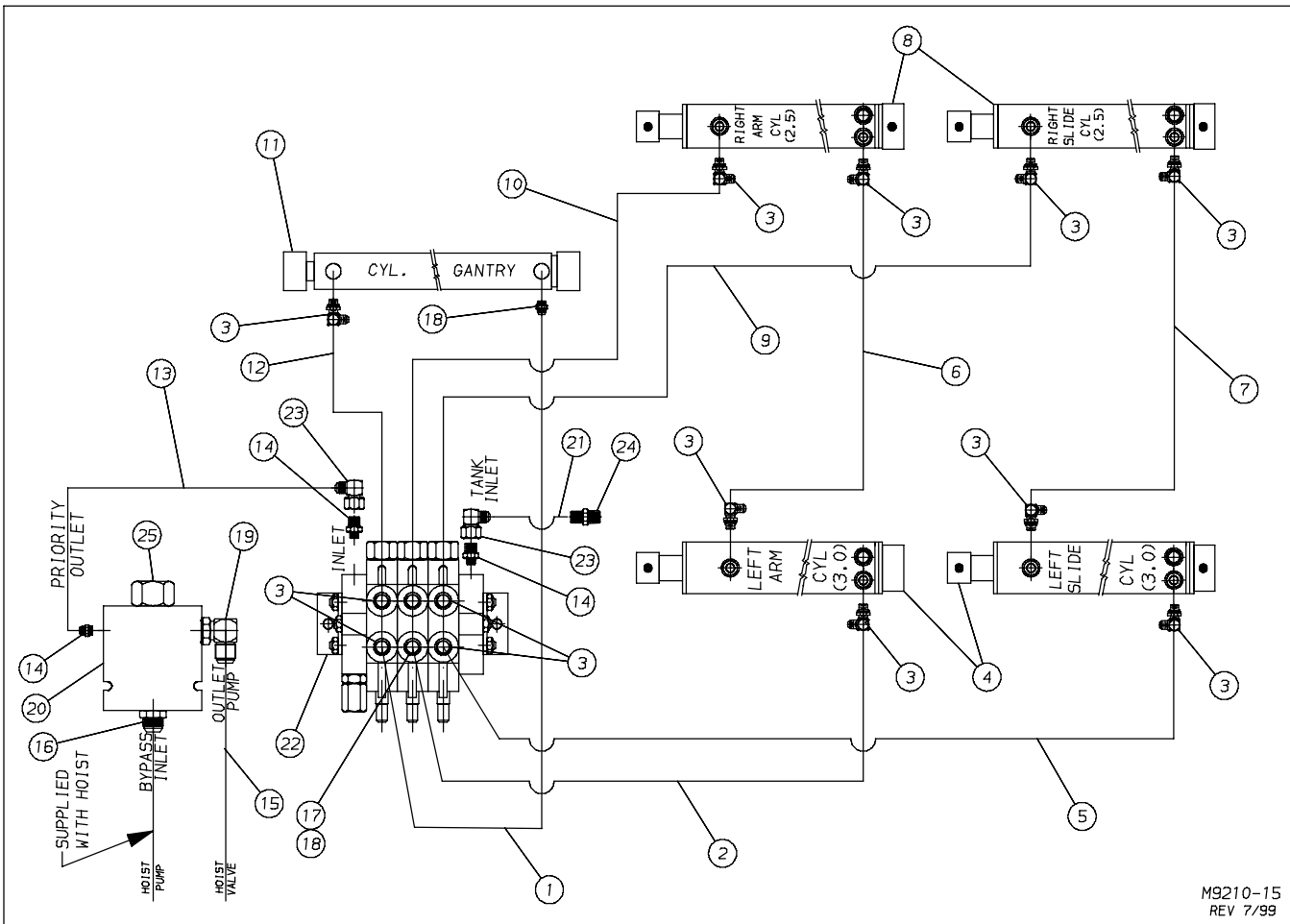
# GANTRY ASSEMBLY

FOR MODELS - ALL

11/05

<i>Item</i>	<i>Part Number</i>	<i>Part Description</i>	<i>Qty.</i>
1	60-230	1" DIA. x 5-1/2" Clevis Pin	1
2	9210-15-9	Spacer (5/8" Long)	2
3	64-119	1" STD. Flat Washer	1
4	60-705	3/16" DIA. x 2-1/2" Cotter Pin	2
5	62-544	3/8NC x 2" GD. 5 Cap Screw	2
6	63-102	3/8NC Hex Nut	2
7	9210-11-0A	Gantry Guide Tube Weldment <b>for Serial #1028 &amp; On</b>	2
	9210-11-0	Gantry Guide Tube Weldment for Serial #1001-1027	
8	9210-15-8	Spacer (1-1/8" Long)	2
9	60-226	1" DIA. x 6" Clevis Pin	1
10	9210-15-22	Gantry Bracket	2
11	23-502	Hydraulic Cylinder 2" x 48"	1
12	9210-19-1	Tarp Tube	1
13	62-108	3/8NC x 1" GD. 5 Cap Screw	10
14	64-103	3/8" STD. Lock Washer	10
15	63-102	3/8NC Hex Nut	10
16	62-472	1/2NC x 2" GD. 5 Carriage Bolt	4
17	64-107	1/2" STD. Lock Washer	4
18	63-106	1/2NC Hex Nut	4
19	9210-13-0	Gantry Rack Weldment	1
20	9210-14-1	Tarp Guard	1
21	9210-12-0A	Gantry Guide Weldment <b>for Serial #1028 &amp; On</b>	1
	9210-12-0	Gantry Guide Weldment for Serial #1001-1027	
22	9210-15-12	Gantry Gusset	4
23	See page P22	Cab Guard	1

# HYDRAULICS



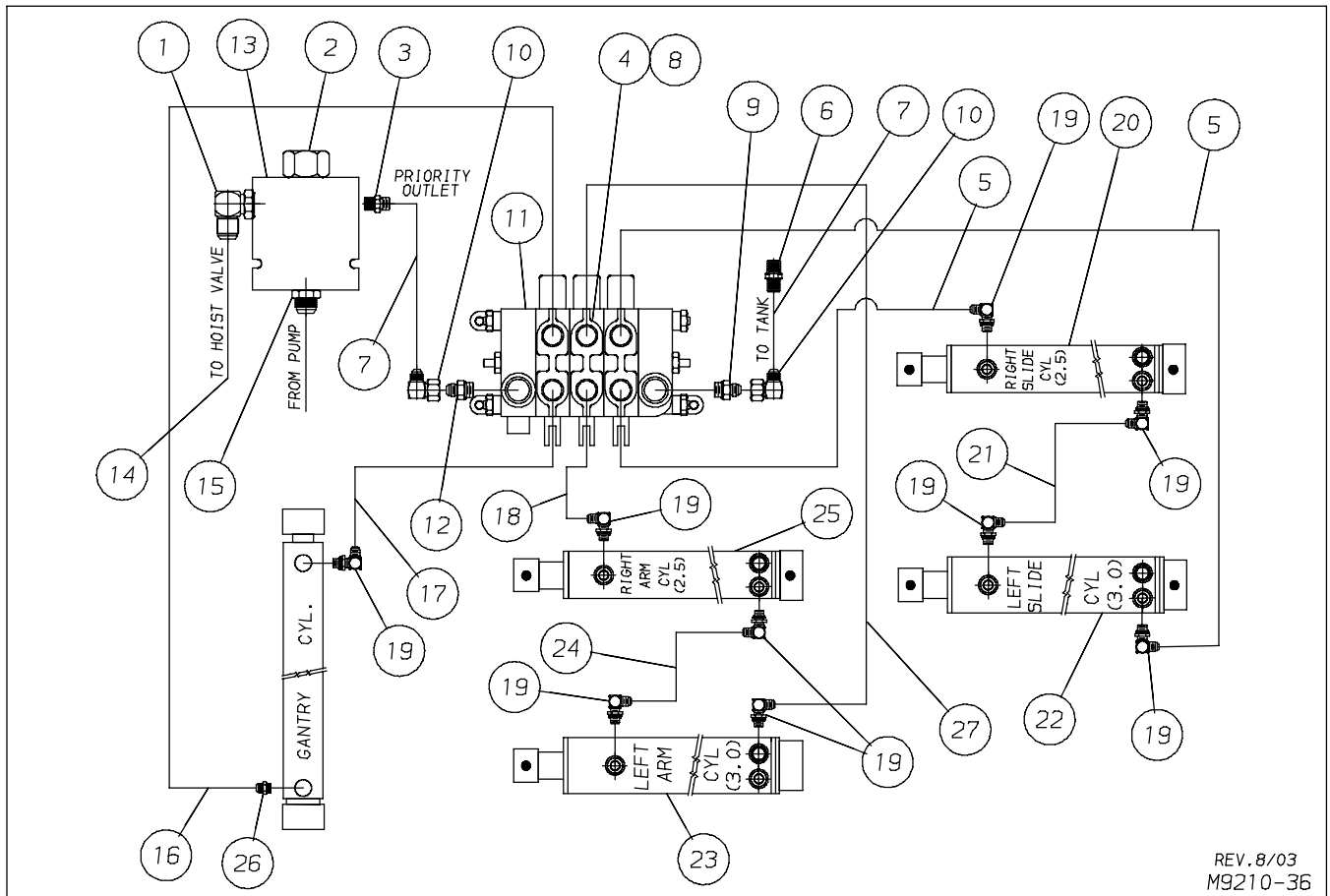
M9210-15  
REV 7/99

**FOR MODELS - SERIAL #1001 - 1750**

7/99

Item	Part Number	Part Description	Qty.
1	24-539R	Hose Assembly 1/4" x 30" (9/16" JIC)	1
2	24-540R	Hose Assembly 1/4" x 363" (9/16" JIC)	1
3	25-440	9/16(M) O-Ring to 9/16(M) JIC 90° Hydraulic Fitting	13
4	21-179	Hydraulic Cylinder 3" x 30" D.A.W.	2
5	24-541R	Hose Assembly 1/4" x 300" (9/16" JIC)	1
6	24-542R	Hose Assembly 1/4" x 260" (9/16" JIC)	1
7	24-538R	Hose Assembly 1/4" x 136" (9/16" JIC)	1
8	21-178	Hydraulic Cylinder 2-1/2" x 30" D.A.W.	2
9	24-543R	Hose Assembly 1/4" x 295" (9/16" JIC)	1
10	24-537R	Hose Assembly 1/4" x 324" (9/16" JIC)	1
11	23-502	Hydraulic Cylinder 2" x 48" (9/16" JIC)	1
12	24-544R	Hose Assembly 1/4" x 84" (9/16" JIC)	1
13	24-204R	Hose Assembly 3/8" x 42" (3/4" JIC)	1
14	25-328	9/16(M) O-Ring to 3/4(M) JIC Straight Fitting	3
15	24-614	Hose Assembly 1" x 37" (1-5/16" JIC)	1
16	25-350	1-5/16(M) O-Ring to 1-5/16(M) JIC Hydraulic Fitting	1
17	25-455	9/16(M) JIC to 9/16(F) JIC 90° Hydraulic Fitting	2
18	25-331	9/16 O-Ring to 9/16(M) JIC Cntr. Hydraulic Fitting	3
19	25-382	1-5/16(M) O-Ring to 1-5/16(M) JIC 90° Hydraulic Fitting	1
20	25-2304	Priority Flow Divider	1
21	24-2114R	Hose Assembly 3/8" x 60" (3/4" JIC)	1
22	25-2306	Directional Control Valve	1
23	25-310	37° Flare Male / Female 90° Ell	2
24	25-313	1/2NPT Male to 3/4JIC Male Fitting	1
25	25-2346	Priority Cartridge	1

# HYDRAULICS



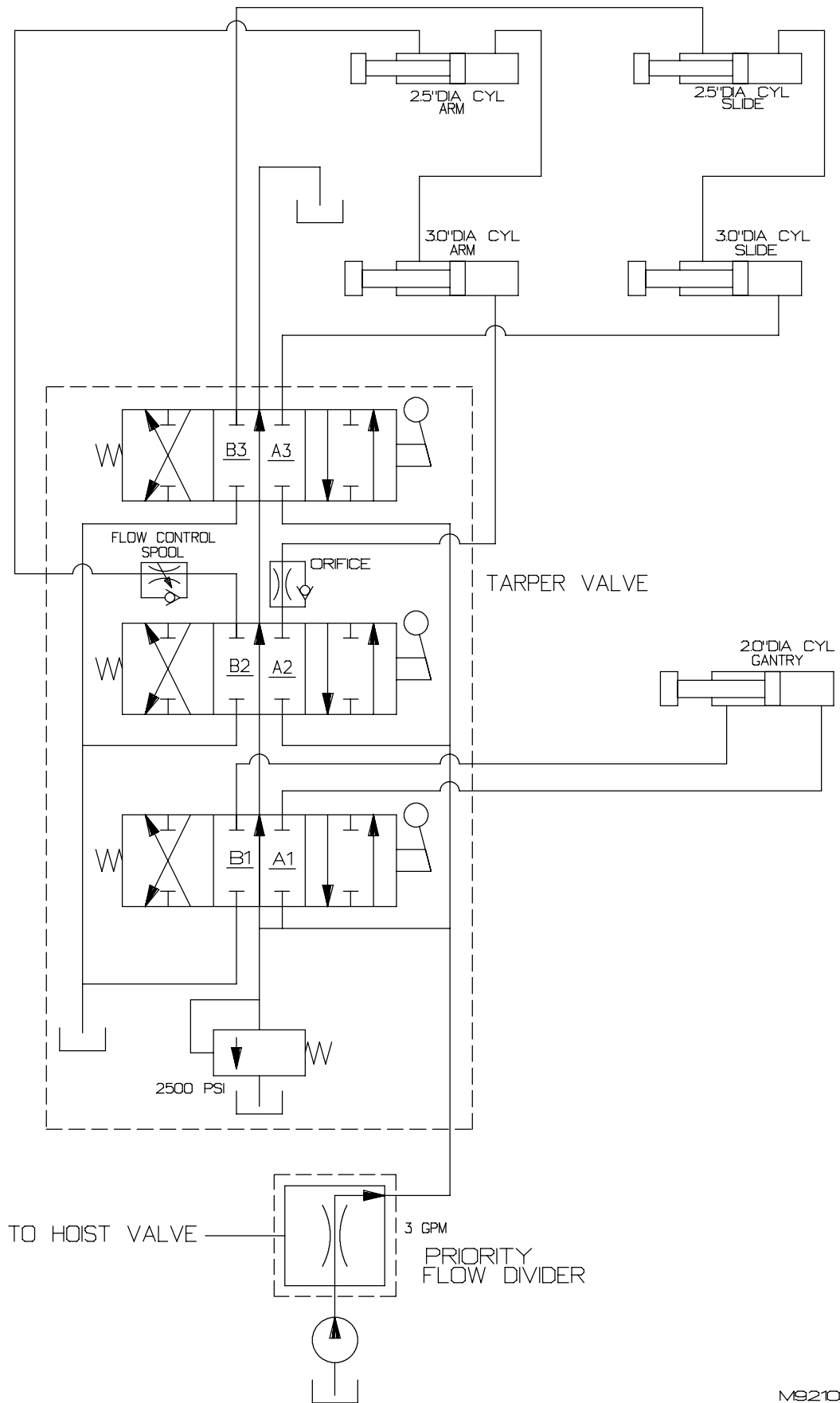
REV. 8/03  
M9210-36

**FOR MODELS - SERIAL NUMBER 1751 & ON**

**8/03**

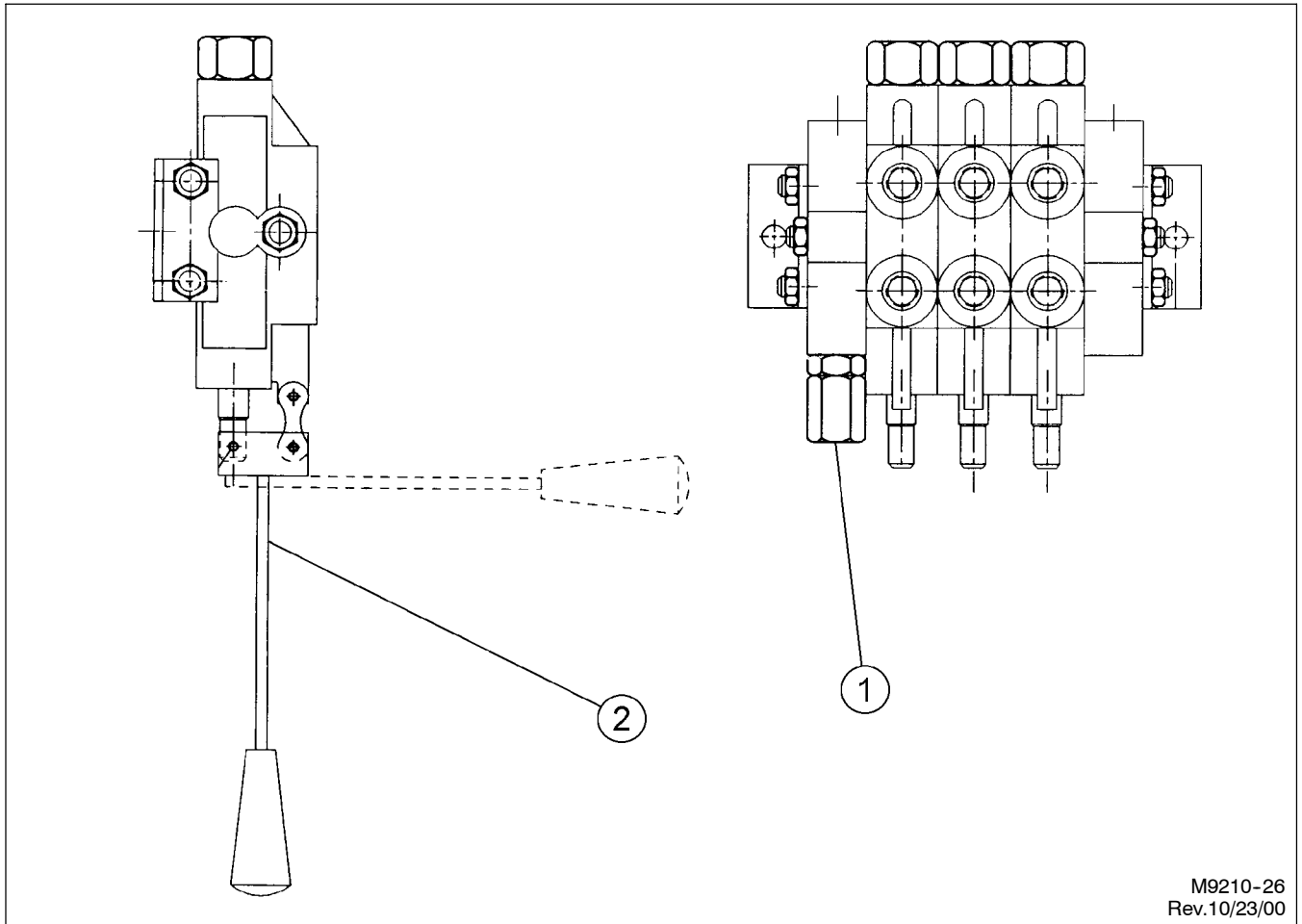
Item	Part Number	Part Description	Qty.
1	25-382	1-5/16(M) O-Ring to 1-5/16(M) JIC 90° Hydraulic Fitting	1
2	25-2346	Priority Flow Cartridge	1
3	25-328	9/16(M) O-Ring to 3/4(M) JIC Hydraulic Fitting	1
4	25-504	9/16(M) JIC to 3/4(M) O-Ring Straight Hydraulic Fitting	6
5	24-2134	3/8" x 300" JIC 3000 PSI Hose Assembly	2
6	25-313	1/2(M)NPT to 3/4(M)JIC Hydraulic Fitting	1
7	24-2114	3/8" x 60" 3/4 JIC 3000 PSI Hose Assembly	2
8	25-455	9/16(M) JIC to 9/16 (F) JIC x 90° Hydraulic Fitting	6
9	25-379	7/8(M) O-Ring to 3/4(M) JIC Adapter Fitting	1
10	25-310	3/4(M)JIC to 3/4(F)JIC 90° Swivel Hydraulic Fitting	2
11	25-2470	Directional Control Valve, 3-Spool (Brand)	1
	25-2523	Directional Control Valve, 3-Spool (Salami)	1
12	25-379	7/8(M) O-Ring to 3/4(M) JIC Adapter Fitting (for Brand Valve)	1
	25-300	3/4(M) O-Ring to 3/4(M) JIC Adapter Fitting (for Salami Valve)	1
13	25-2304	Priority Flow Divider 3.0 GPM	1
14	24-653	1" x 37" 1-5/16 JIC 3000 PSI Hose Assembly	1
15	25-350	1-5/16(M) O-Ring to 1-5/16(M) JIC Hydraulic Fitting	1
16	24-2132	3/8" x 30" JIC 3000 PSI Hose Assembly	1
17	24-2136	3/8" x 84" JIC 3000 PSI Hose Assembly	1
18	24-2130	3/8" x 324" JIC 3000 PSI Hose Assembly	1
19	25-440	9/16(M) O-Ring to 9/16(M) JIC x 90° Hydraulic Fitting	9
20	21-1015	2-1/2" Bore x 42" Stroke Hydraulic Cylinder	1
21	24-2131	3/8" x 184" JIC 3000 PSI Hose Assembly	1
22	21-1016	3" Bore x 42" Stroke Hydraulic Cylinder	1
23	21-179	3" Bore x 30" Stroke Hydraulic Cylinder	1
24	24-2135	3/8" x 260" JIC 3000 PSI Hose Assembly	1
25	21-178	2-1/2" Bore x 30" Stroke Hydraulic Cylinder	1
26	25-331	9/16(M) O-Ring to 9/16(M) JIC Connector Hydraulic Fitting	1
27	24-2133	3/8" x 340" JIC 3000 PSI Hose Assembly	1

# HYDRAULIC SCHEMATIC



M9210-57  
REV 3/07

# DIRECTIONAL CONTROL VALVE - FPS



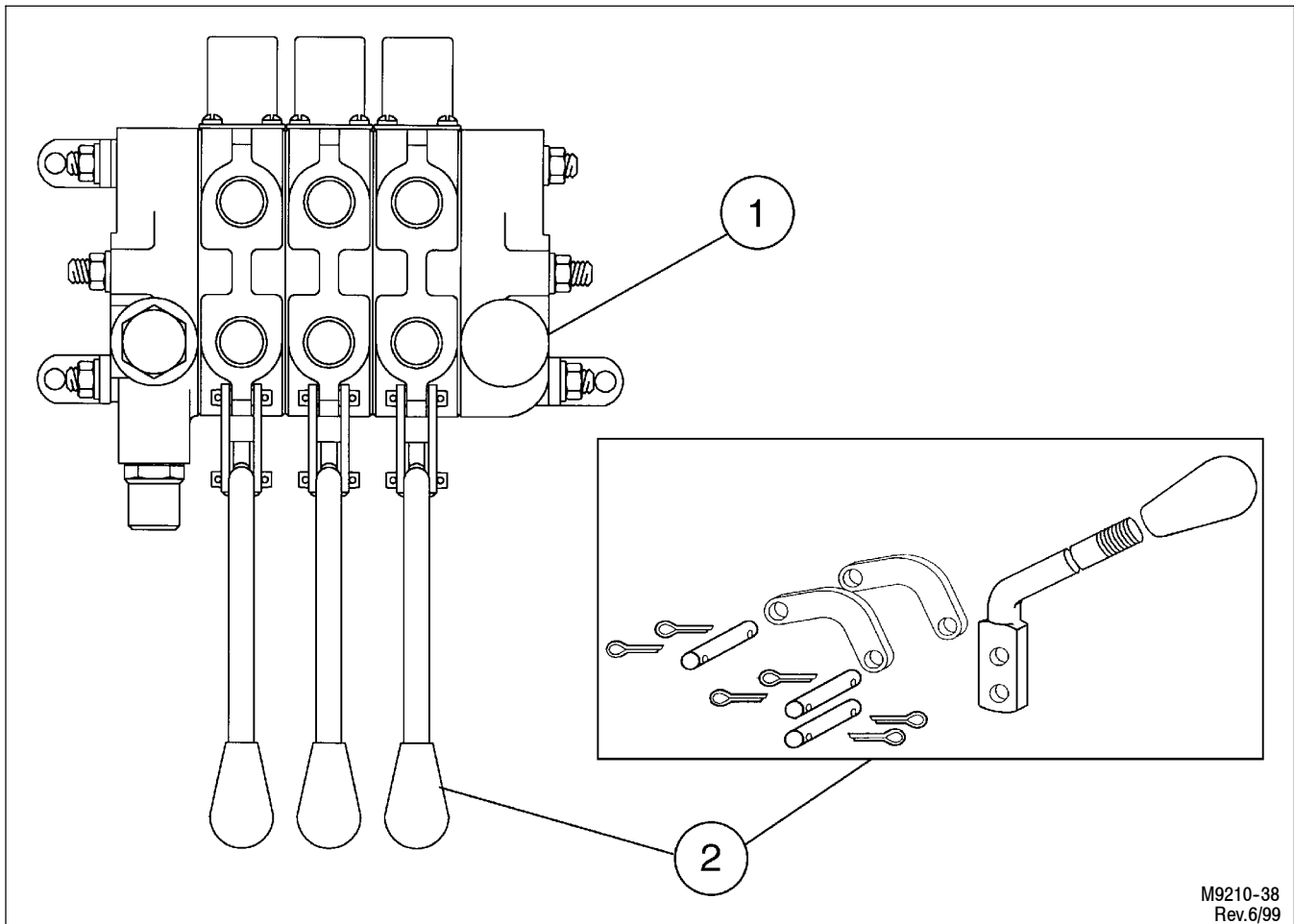
M9210-26  
Rev.10/23/00

**FOR MODELS - SERIAL #1001 - 1750**

10/23/00

<i>Item</i>	<i>Part Number</i>	<i>Part Description</i>	<i>Qty.</i>
	25-2306	Directional Control Valve	1
1	25-2353	Inlet Relief Valve	
2	25-2352	Handle Assembly	

# DIRECTIONAL CONTROL VALVE - BRAND



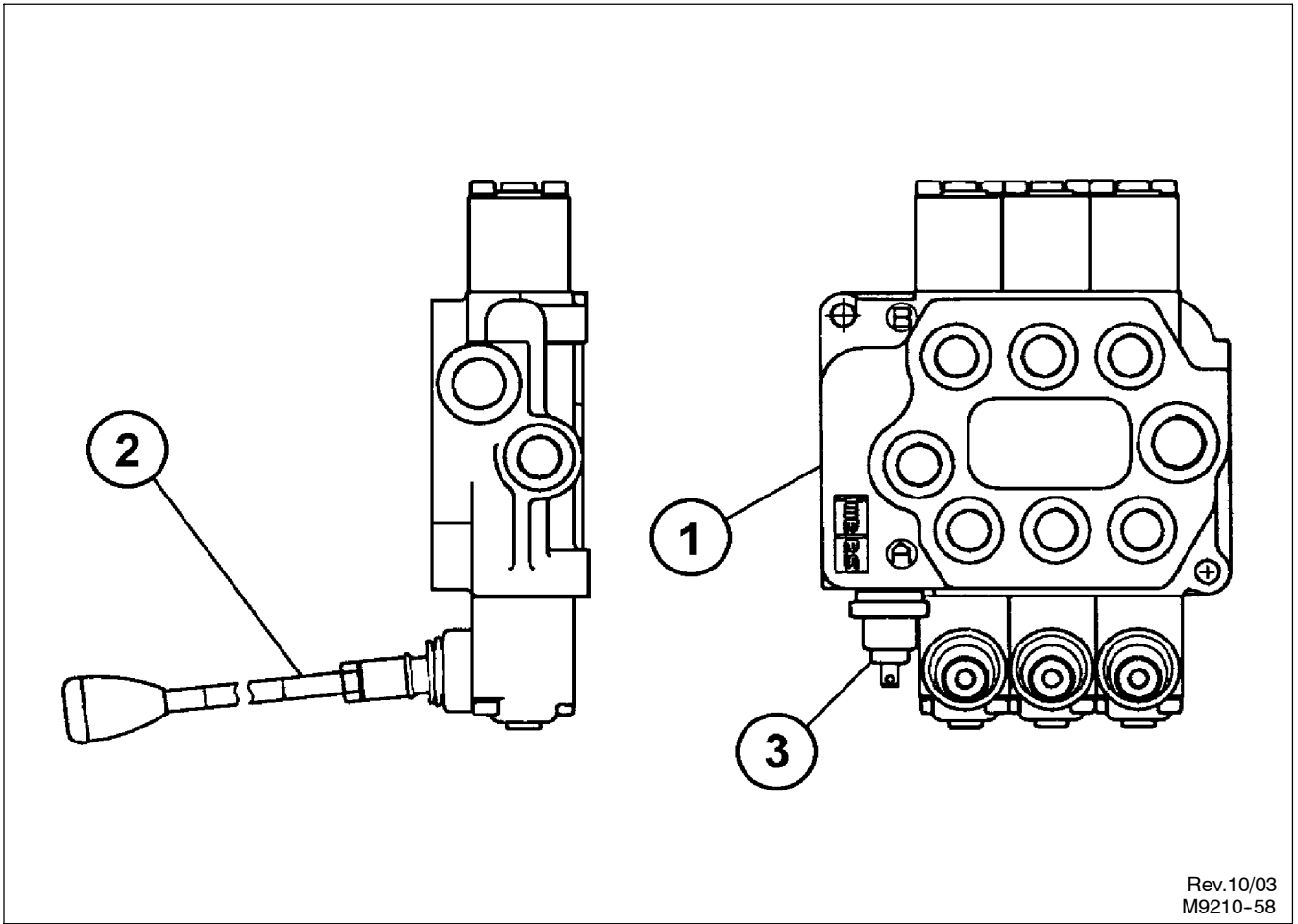
M9210-38  
Rev.6/99

**FOR MODELS - SERIAL #1751 - 3299**

6/99

Item	Part Number	Part Description	Qty.
1	25-2470	Directional Control Valve	1
2	25-2482	Handle Assembly	3

**DIRECTIONAL CONTROL VALVE -- SALAMI**



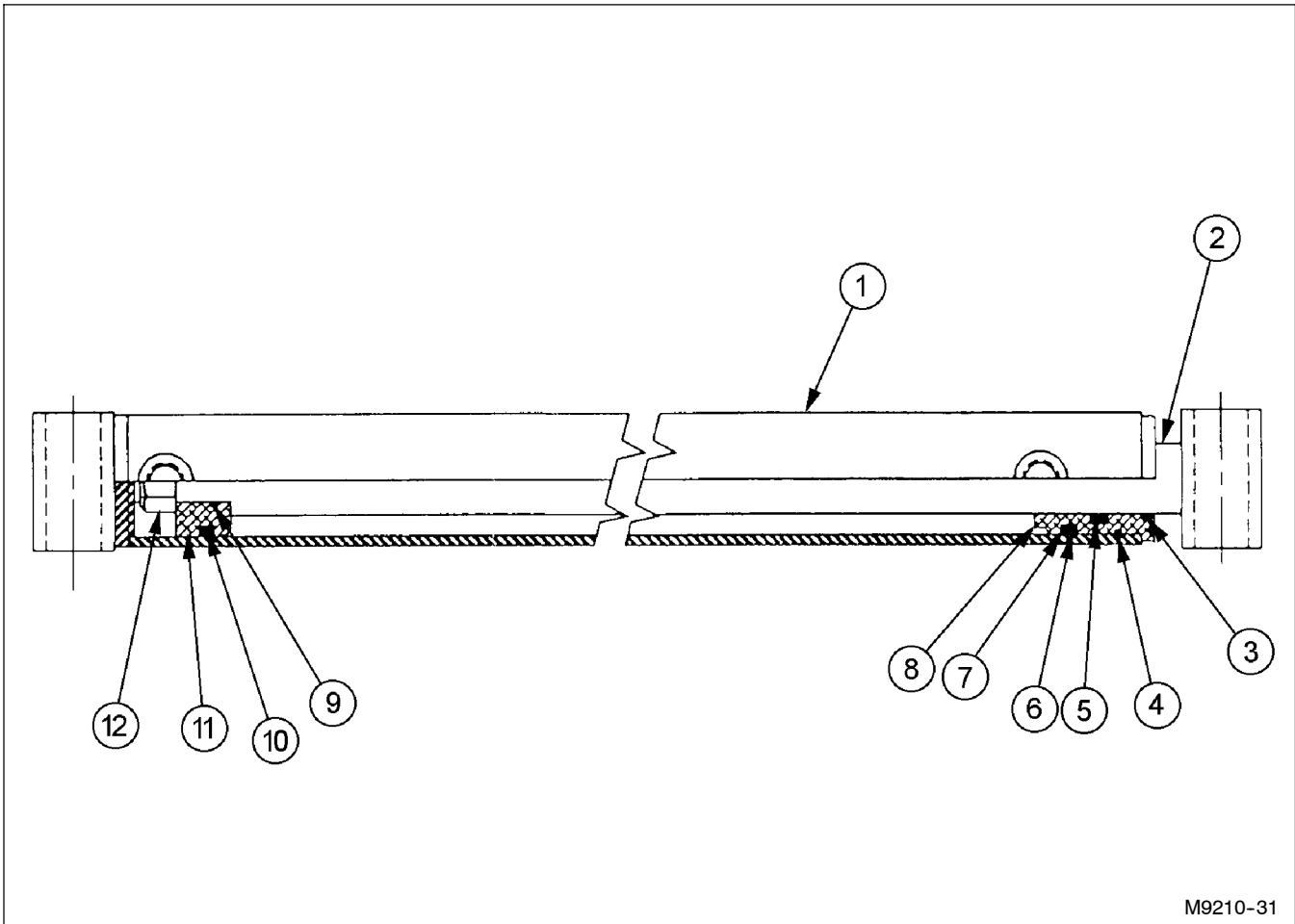
Rev.10/03  
M9210-58

**FOR MODELS - SERIAL #3300 & ON**

10/03

<i>Item</i>	<i>Part Number</i>	<i>Part Description</i>	<i>Qty.</i>
1	25-2523	Directional Control Valve	1
2	25-2526	Handle	
3	25-2527	Relief Valve Cartridge	

# HYDRAULIC CYLINDER ASSEMBLY



M9210-31

23-502 2" x 48" Columbus Cylinder Assembly  
 Retracted - 54-3/8" Extended - 94-3/8"

Stroke - 48"

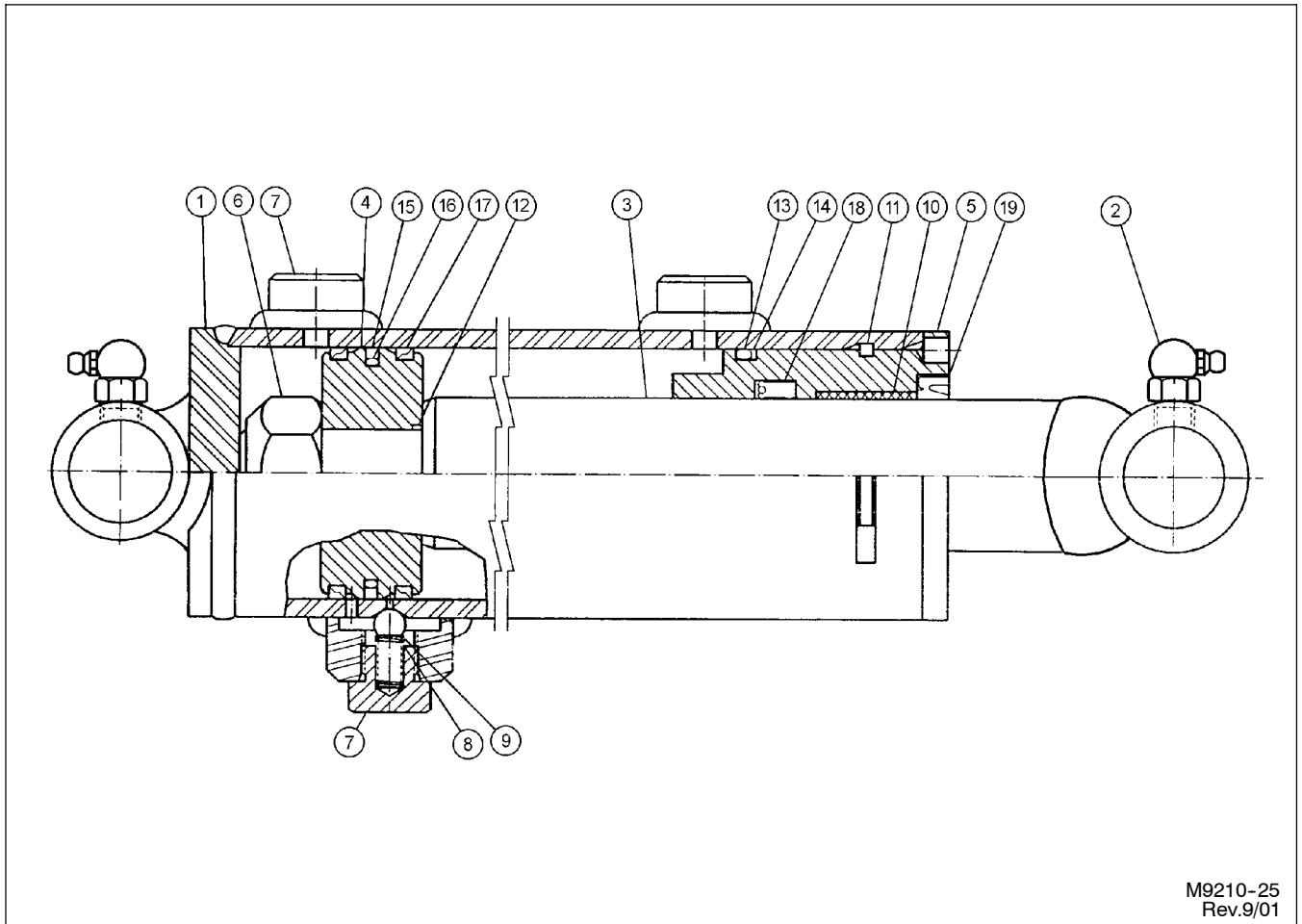
Rod Diameter - 1-1/4"

6/99

Item	Part Number	Part Description	Qty.
1		Barrel with Clevis & Ports	1
2		Shaft with Clevis	1
3	★	Dust Seal	1
4		Retaining Ring	1
5	★	Polypak	1
6	★	Back-Up	1
7	★	O-Ring	1
8		Head	1
9	★	O-Ring	1
10	★	Seal	1
11		Piston	1
12		Nut	1
	▲ 23-613	Seal Kit (Includes ★ Items)	

▲ Not Part of Assembly

# HYDRAULIC CYLINDER ASSEMBLY



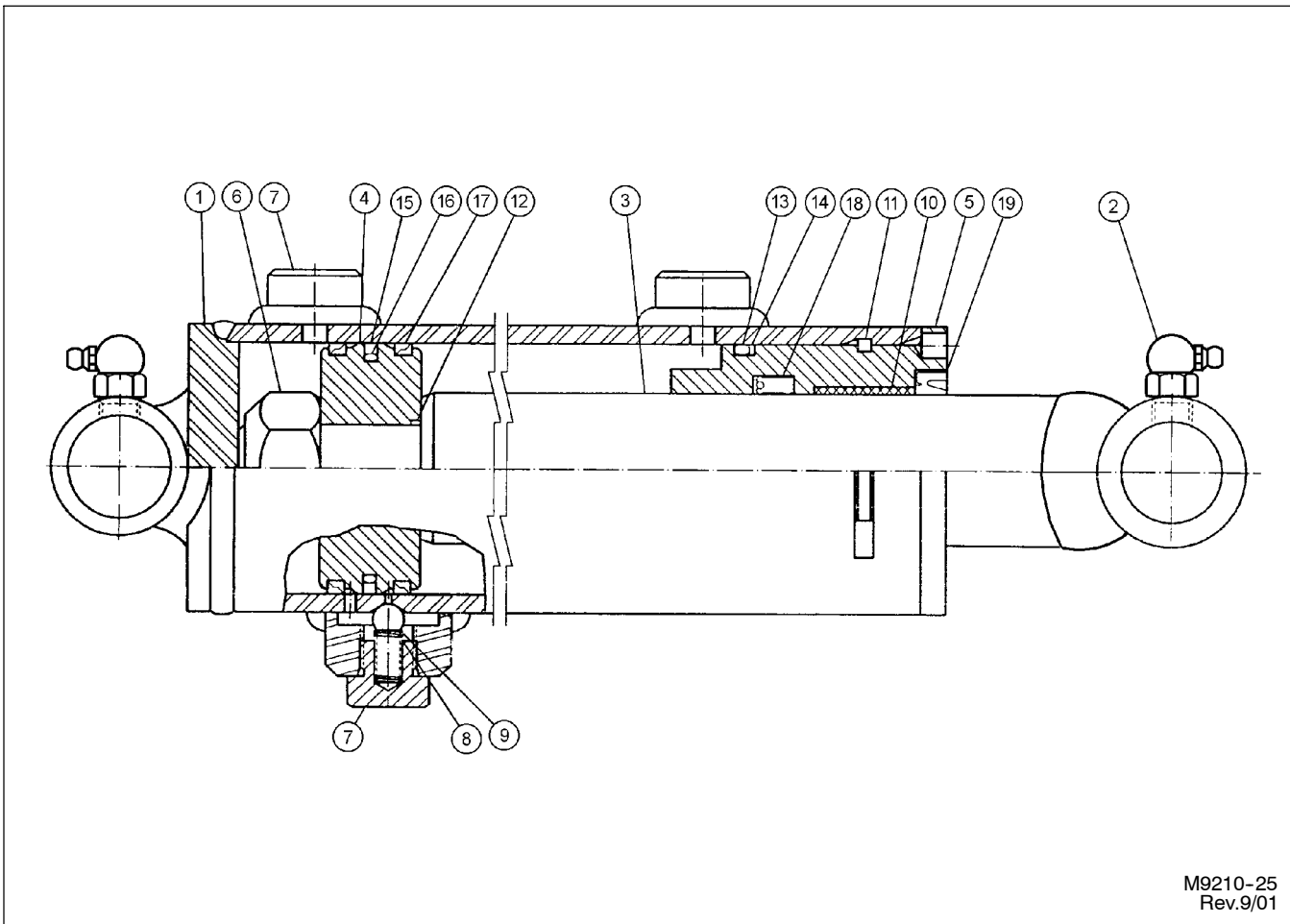
M9210-25  
Rev.9/01

21-178 2-1/2" x 30" Prince Hydraulic Cylinder Assembly 9/00  
 Retracted - 38" Extended - 68" Stroke - 30" Rod Diameter - 1-1/2"

Item	Part Number	Part Description	Qty.
1		Butt & Tube Assembly	1
2		Grease Zerk	2
3		Piston Rod Assembly	1
4		Piston	1
5		Gland	1
6		Lock Nut	1
7	21-620	Plug	3
8	21-976	Spring	1
9	21-977	Ball	1
10		Bushing	1
11	★	Square Wire Retainer	1
12	★	O-Ring	1
13	★	O-Ring	1
14	★	Back-Up Washer	1
15	★	Teflon Seal	1
16	★	O-Ring	1
17	★	Bearing Ring	2
18	★	U-Cup	1
19	★	Wiper	1
20		Installation Ring	1
	▲ 21-983	Seal Kit (Includes ★ Items)	

▲ Not Part of Assembly

# PRINCE HYDRAULIC CYLINDER ASSEMBLY



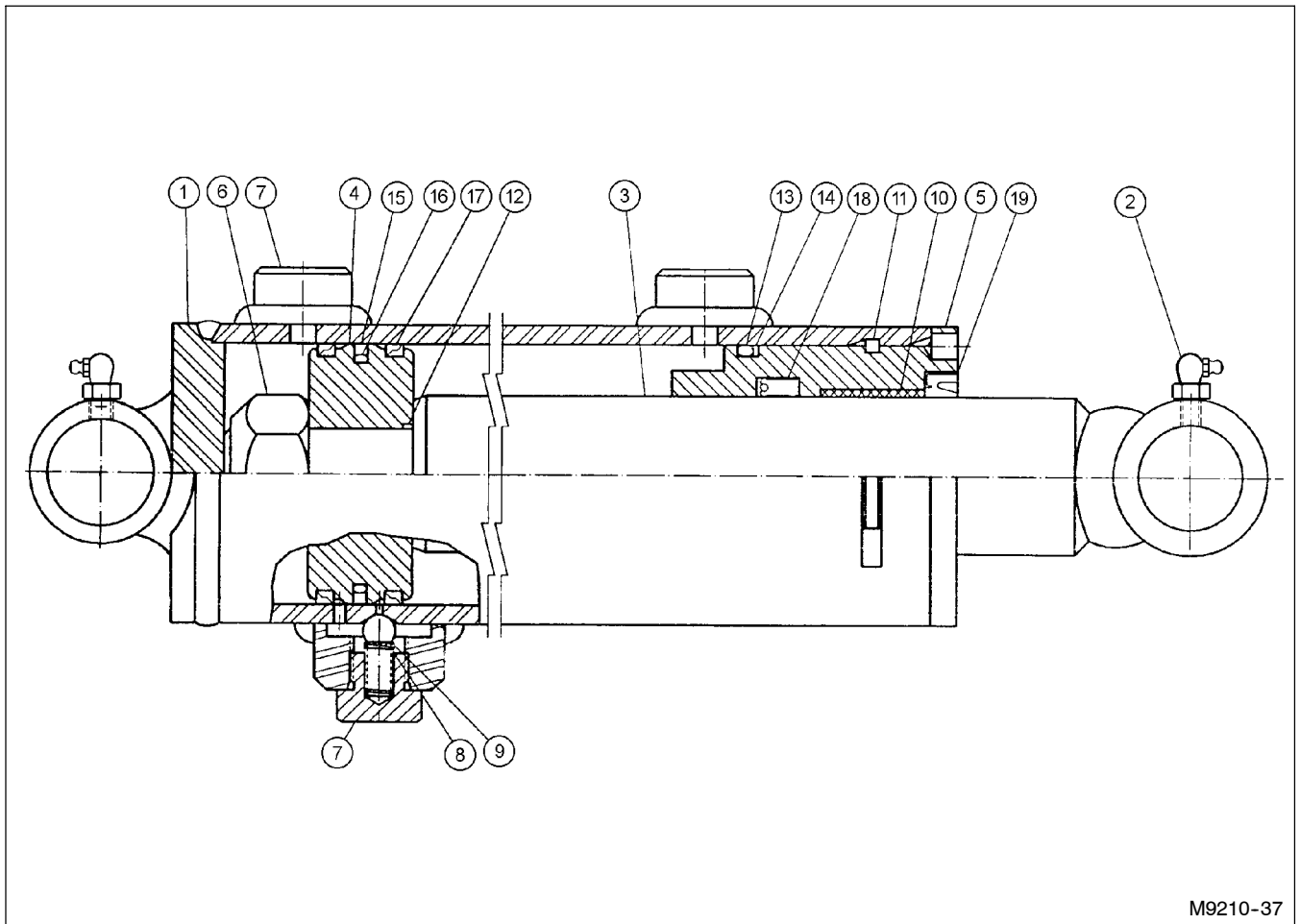
M9210-25  
Rev.9/01

21-179 3" x 30" Prince Hydraulic Cylinder Assembly 9/00  
Retracted - 38" Extended - 68" Stroke - 30" Rod Diameter - 1-5/8"

Item	Part Number	Part Description	Qty.
1		Butt & Tube Assembly	1
2		Grease Zerk	2
3		Piston Rod Assembly	1
4		Piston	1
5		Gland	1
6		Lock Nut	1
7	21-620	Plug	3
8	21-976	Spring	1
9	21-977	Ball	1
10		Bushing	1
11	★	Square Wire Retainer	1
12	★	O-Ring	1
13	★	O-Ring	1
14	★	Back-Up Washer	1
15	★	Teflon Seal	1
16	★	O-Ring	1
17	★	Bearing Ring	2
18	★	U-Cup	1
19	★	Wiper	1
20		Installation Ring	1
	▲ 21-995	Seal Kit (Includes ★ Items)	

▲ Not Part of Assembly

# PRINCE HYDRAULIC CYLINDER ASSEMBLY



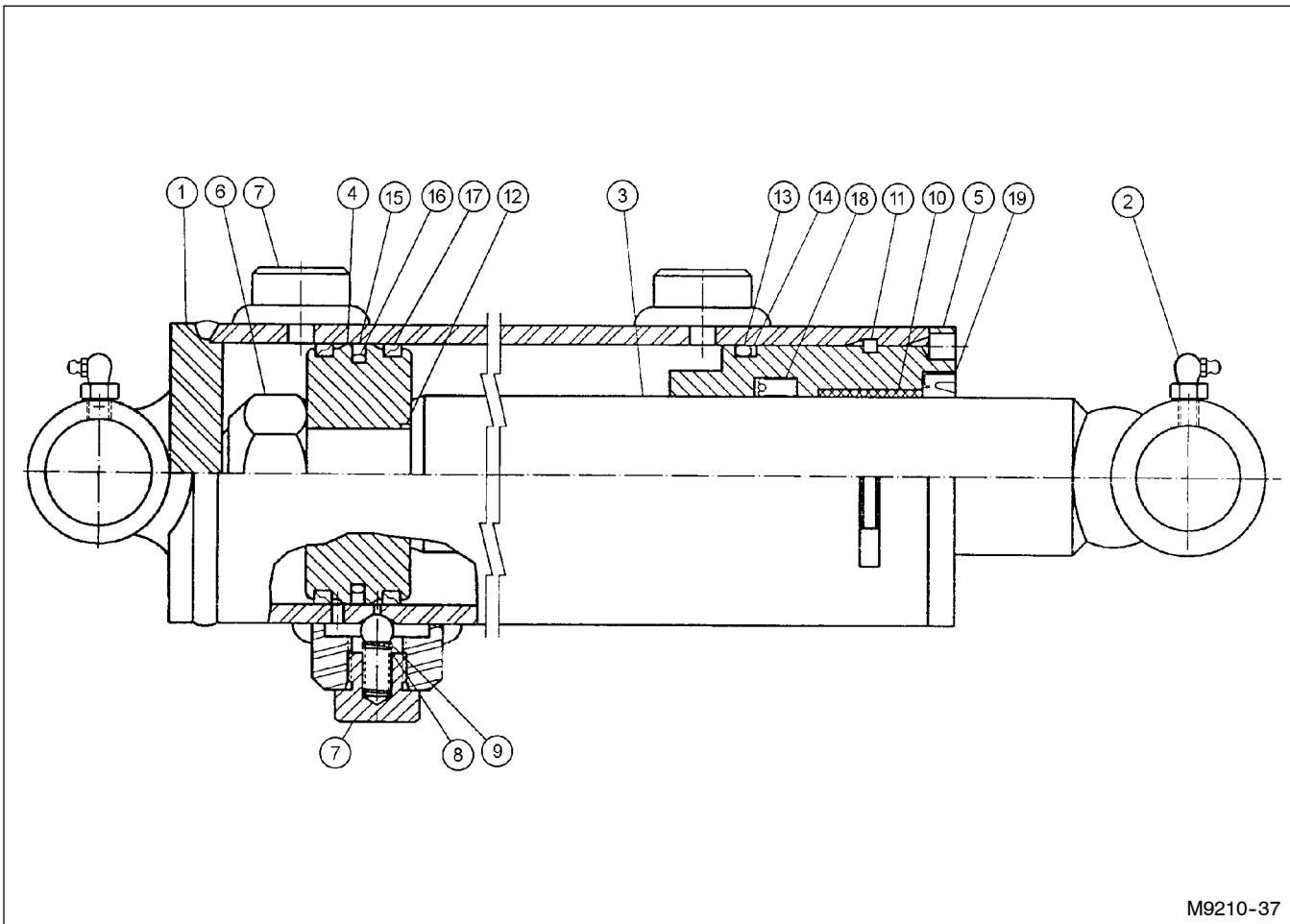
M9210-37

21-1015 2-1/2" x 42" Prince Hydraulic Cylinder Assembly 9/00  
 Retracted - 50" Extended - 92" Stroke - 42" Rod Diameter - 1-1/2"

Item	Part Number	Part Description	Qty.
1		Butt & Tube Assembly	1
2		Grease Zerk	2
3		Piston Rod Assembly	1
4		Piston	1
5		Gland	1
6		Lock Nut	1
7	21-620	Plug	3
8	21-976	Spring	1
9	21-977	Ball	1
10		Bushing	1
11	★	Square Wire Retainer	1
12	★	O-Ring	1
13	★	O-Ring	1
14	★	Back-Up Washer	1
15	★	Teflon Seal	1
16	★	O-Ring	1
17	★	Bearing Ring	2
18	★	U-Cup	1
19	★	Wiper	1
20		Installation Ring	1
	▲ 21-2086	Seal Kit (Includes ★ Items)	

▲ Not Part of Assembly

# PRINCE HYDRAULIC CYLINDER ASSEMBLY



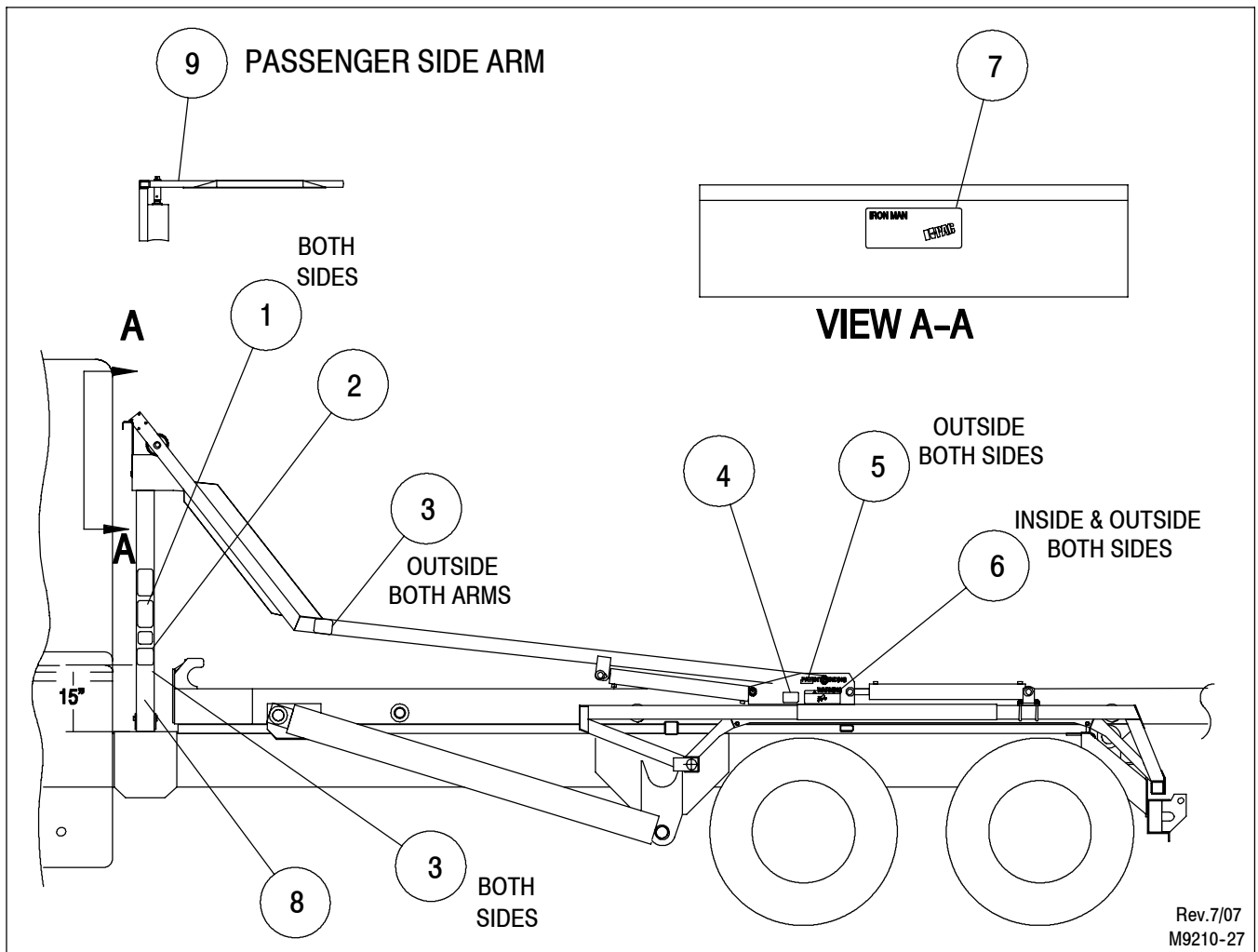
M9210-37

21-1016 3" x 42" Prince Hydraulic Cylinder Assembly 9/00  
 Retracted - 50" Extended - 92" Stroke - 42" Rod Diameter - 1-5/8"

Item	Part Number	Part Description	Qty.
1		Butt & Tube Assembly	1
2		Grease Zerk	2
3		Piston Rod Assembly	1
4		Piston	1
5		Gland	1
6		Lock Nut	1
7	21-620	Plug	3
8	21-976	Spring	1
9	21-977	Ball	1
10		Bushing	1
11	★	Square Wire Retainer	1
12	★	O-Ring	1
13	★	O-Ring	1
14	★	Back-Up Washer	1
15	★	Teflon Seal	1
16	★	O-Ring	1
17	★	Bearing Ring	2
18	★	U-Cup	1
19	★	Wiper	1
20		Installation Ring	1
	▲ 21-2087	Seal Kit (Includes ★ Items)	

▲ Not Part of Assembly

# DECALS

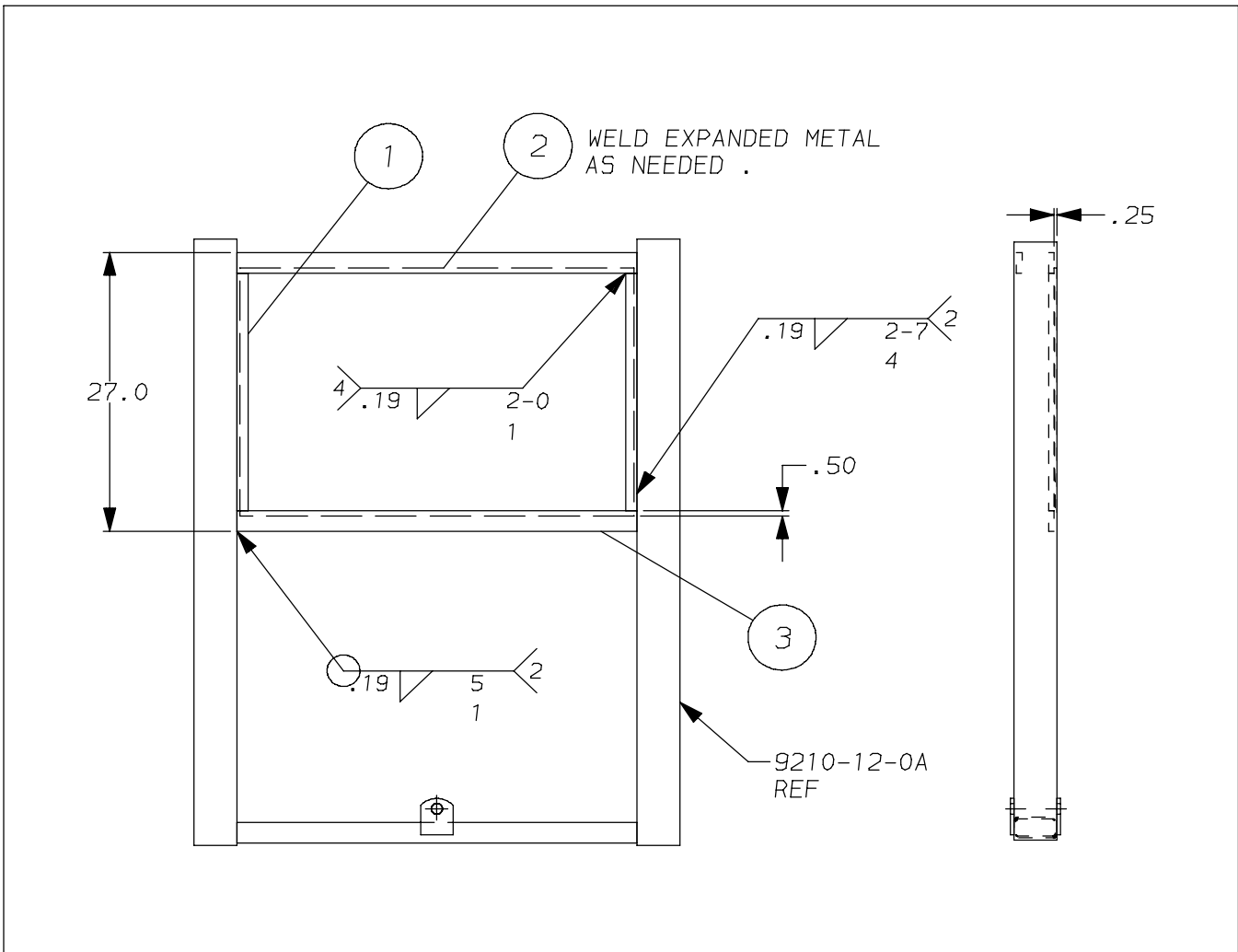


## FOR MODELS - ALL

2/08

Item	Part Number	Part Description	Qty.
1	★ 74-461	Decal - DANGER Overhead Clearance	2
2	★ 74-462	Decal - CAUTION Tarper Safety Instructions	1
3	★ 74-463	Decal - WARNING Stand Clear Of Arms	4
4	★ 74-348	Decal - WARNING Pinch Point	4
5	★ 74-512	Decal - Patent	2
6	★ 74-276	Decal - WARNING Hydraulic Safety	4
7	★ 74-627	Decal - Iron Man Logo	1
8	★ 74-460	Decal - Control Instructions	1
9	74-471	Decal - Preload Spring	1
	9210-50-0A	Decal Kit (includes ★ items above)	

# CAB GUARD KIT INSTALLATION INSTRUCTIONS



## FOR MODELS - KPAT

7/07

Item	Part Number	Part Description	Qty.
1	9210-22-1	Guard Side Strips	2
2	9210-22-2A	Expanded Metal Section	1
3	9210-12-1A	Strap	1